



4X4 ENGINEERING

SS1420HF

SAFARI V SPEC SNORKEL

To Suit: Volkswagen Amarok MY23

2.0L TDI 4CYL Turbo & Bi-Turbo Diesel (TDI405, TDI500)

05/22 - Onwards

3.0L TDI V6 Turbo Diesel (TDI600) 05/22 - Onwards



29/08/2025

Parts List

ITEM	PART NO.	DESCRIPTION	QTY
1	920-133-000	BODY - SNORKEL (SS1420HF)	1
2	000-135-800	3 ½" AIR RAM ASSEMBLY	1
3	920-032-000	BRACKET - UPPER MOUNTING	1
4	683-435-000	GASKET - UPPER MOUNTING BRACKET	1
5	000-958-625	POP RIVET – 4.8 x 10mm (BLACK)	3
6	000-002-100	BOLT - HEX - 6mm x 1.0 x 14mm (SEMS)	2
7	000-110	STUD - 8mm x 1.25 x 25mm - S/S	6
8	000-311-300	WASHER - BODY - 8mm x 30mm - S/S	6
9	000-205-300	NUT - NYLOC - 8mm x 1.25mm - S/S	6
10	920-024-000	HOSE - AIR ENTRY	1
11	682-025-600	PLATE - HOSE SUPPORT - S/S - (Upper Side)	1
12	682-025-675	PLATE - HOSE SUPPORT - S/S - (Lower-Small)	1
13	920-025-000	PLATE - HOSE SUPPORT - S/S - (Front Upper)	1
14	920-025-025	PLATE - HOSE SUPPORT - S/S - (Front Main)	1
15	920-025-050	PLATE - HOSE SUPPORT - S/S - (Lower Main)	1
16	920-025-075	PLATE - HOSE SUPPORT - S/S - (Rear)	1

17	000-958-175	POP RIVET - 4mm x 17mm	14
18	000-093-400	BOLT - B/H CAP SCREW - 4.0mm x 0.7 x 16mm - S/S	3
19	000-300-350	WASHER - BODY - 4mm x 12mm - S/S	4
20	000-223-300	NUT - NYLOC - 4.0mmx0.7mm - S/S	3
21	682-959-000	PLUG - AIR INLET BLANK-OFF	1
22	000-910	CLAMP - HOSE - 90/110mm	1
23	000-914/B	CLAMP - HOSE - No. 56 (BLACK)	1
24	000-987-365	CABLE TIE - 7.8mm x 365mm	1
25	000-987-178	CABLE TIE - 4.8mm x 178mm	4
26	920-217-000	TEMPLATE - AIR CLEANER - (Upper)	1
27	920-217-025	TEMPLATE - AIR CLEANER - (Front)	1
28	920-217-050	TEMPLATE - AIR CLEANER - (Main Lower)	1
29	682-217-675	TEMPLATE - AIR CLEANER - (Lower)	1
30	682-884-000	DUCTING – SONOFLEX – 70MM ID X 465MM LONG	1
31	920-016-000	INFILL PIECE - GUARD PANEL	1
32	000-972-008	GROMMET – FLARE BLANKING PLUG – 8MM	2
33	920-017-000	TEMPLATE - GUARD PANEL	1



4X4 ENGINEERING

SS1420HF

SAFARI V SPEC SNORKEL

To Suit: Volkswagen Amarok MY23

2.0L TDI 4CYL Turbo & Bi-Turbo Diesel (TDI405, TDI500)

05/22 - Onwards

3.0L TDI V6 Turbo Diesel (TDI600) 05/22 - Onwards

Installation Guide

Fitment to:

- Right Hand Side

Fitting Time:

- 210min

Special Tools:

- Body Saw (Reciprocating)
- Step Drill
- 4.0mm & 5.0mm Drill Bits
- Pop Rivet Gun
- Grinder & File
- Loctite 243 (Thread Lock)
- Masking Tape
- Touch-up Paint
- Prep-wash
- Sikaflex 227 Adhesive Sealant

Prior to commencing the installation, it is the installer's responsibility to verify that all components and particularly the guard panel template (Item 33) are correct.

1

Remove the following in accordance with the factory service manual:

- Air Cleaner Assembly
- RH Mud Flap
- RH Inner Guard Liner (Main Splash Guard Section)
- RH Front Wheel Arch Moulding
- RH Inner Guard Liner (Secondary Splash Guard Section)

Hint: Cover the air intake duct with a plastic bag or rag to prevent any foreign matter from entering the air intake and causing turbocharger/engine damage.

Note/Caution: Extreme care must be taken when removing the Front Wheel Arch Moulding, the wheel arch moulding clip mounts are very easily broken.

Reach through the main hole in the guard panel and unclip as many of the plastic clips retaining the wheel arch moulding to the guard panel as possible, then carefully unclip the remaining plastic clips.

Hint: To release the plastic clips, use a 7mm or 1/4" drive socket and extension bar.

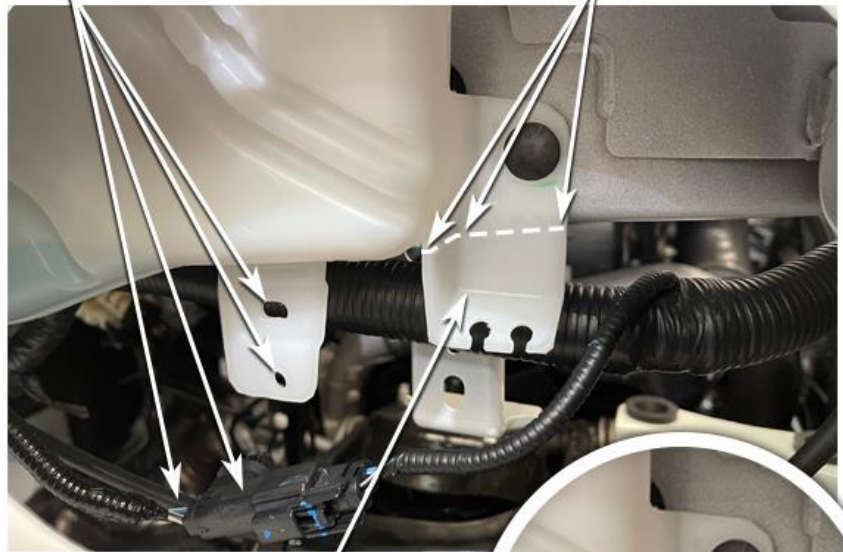
Unclip the washer motor loom and washer hose from the washer bottle bracket.

The unused front washer bottle bracket (shown) must be removed. Mark a cut line as shown. Using the body saw, cut the bracket off the front of the washer bottle as close as possible to the washer bottle for maximum clearance to the air entry hose when installed. Use a die grinder to neaten the cut.

N.B: Care must be taken when cutting off the unused bracket, not to cut into the washer bottle reservoir.

Unclip Connector & Washer hose

Marked Cut Line



Bracket (Unused)

Bracket Removed

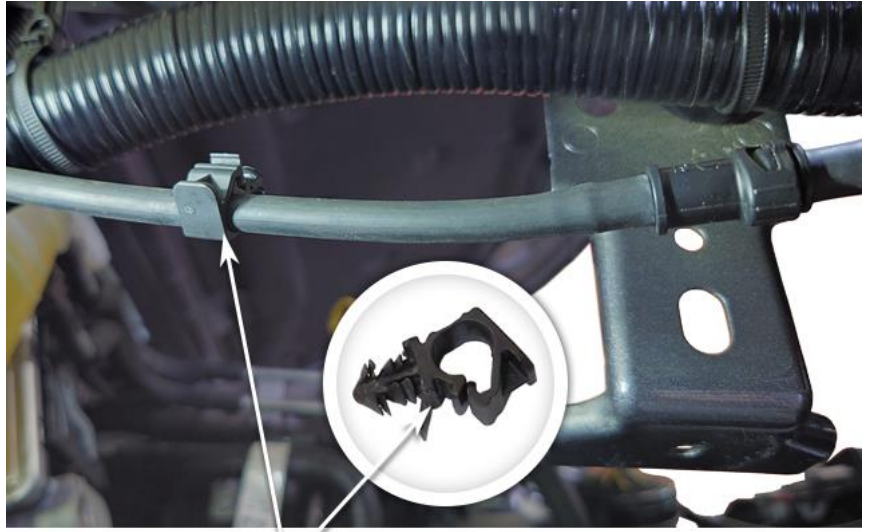


IMPORTANT:

Remove the washer bottle in accordance with the factory manual.

N.B: Washer bottle must be removed as there is not enough space between the guard panel and washer bottle to drill the guard panel without damaging the washer bottle.

Remove and retain the washer hose retaining clip shown.



Remove & Retain

Remove and discard the mounting clip from the washer motor wiring loom connector plug.



Remove & Discard

Non-Flare and Matte Black (Slimline) Factory Accessory Flare fitted vehicles follow steps 6 to 7.

For Vehicles fitted with Bolt-On Look Factory Accessory Flares follow from step 8 to 10 on Pg 7.

6

Guard panel template (Item 33) to suit standard wheel arch trim and matte black (slimline) factory accessory flares.

DO NOT remove perforated section from guard panel template.



7

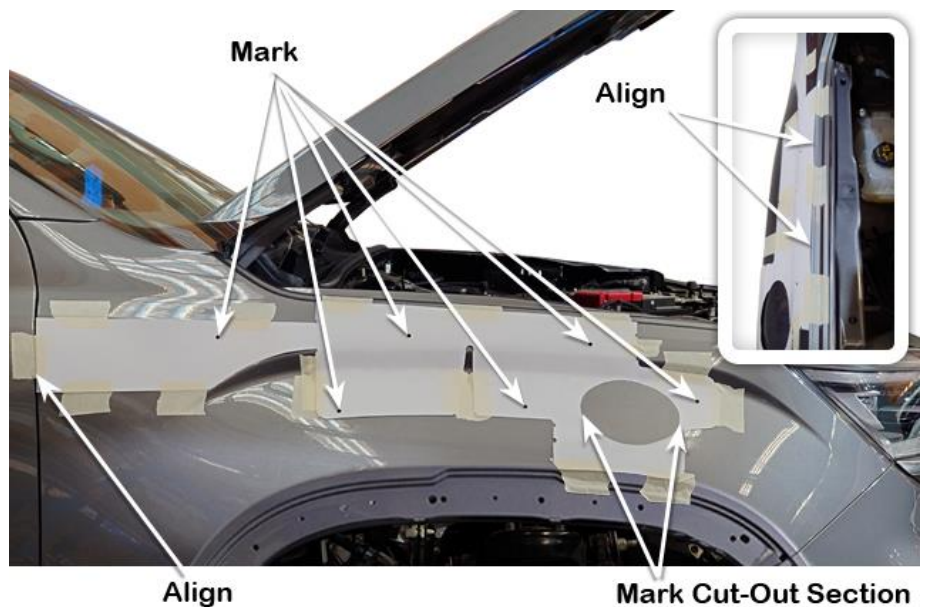
Align the guard panel template (Item 33) to the rear and upper edges of the right-hand guard panel.

Tape the template to the guard panel with masking tape.

Mark all six mounting hole positions and the cut-out section with a felt tip pen.

Remove the template.

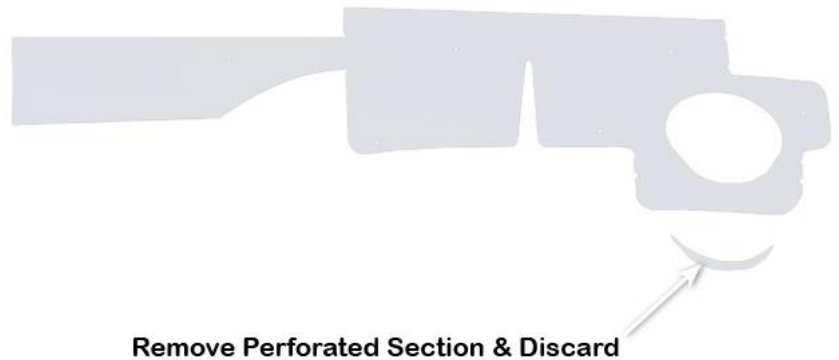
**Continue from step 11
Pg. 8.**



Bolt-On Look Factory Accessory Flare fitted vehicles only:

8

Remove the perforated section from the guard panel cutout of the guard panel template (Item 33) if vehicle is fitted or to be fitted with bolt-on look factory accessory flares.



9

Bolt-On Look Flare Models:

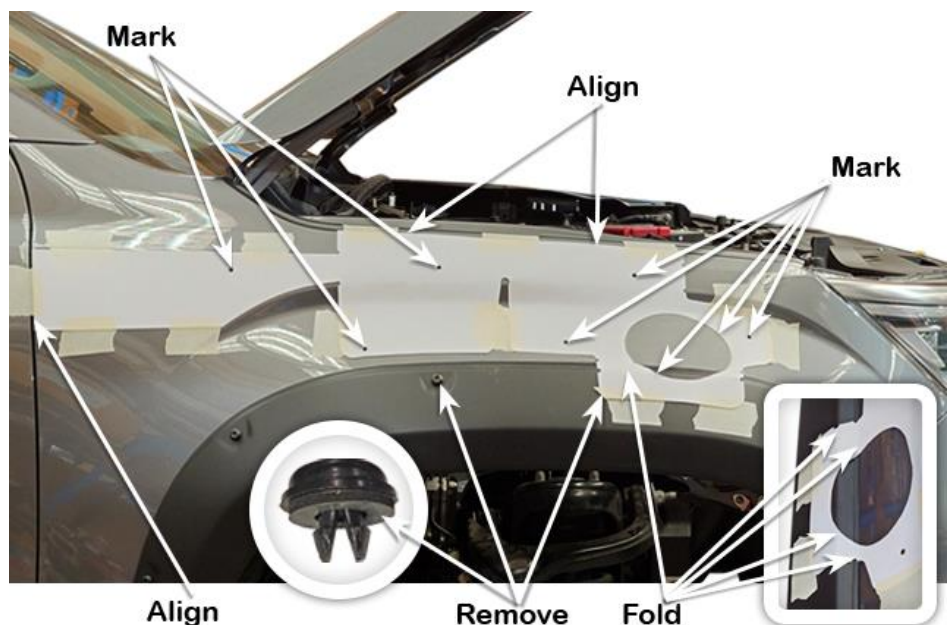
Bolt-on look flares must be installed in position to mark the cut line. Remove the two centre most bolt embellishments from the flare.

Align the guard panel template (Item 33) to the rear and upper edges of the right-hand guard panel.

Tape the template to the guard panel and flare with masking tape.

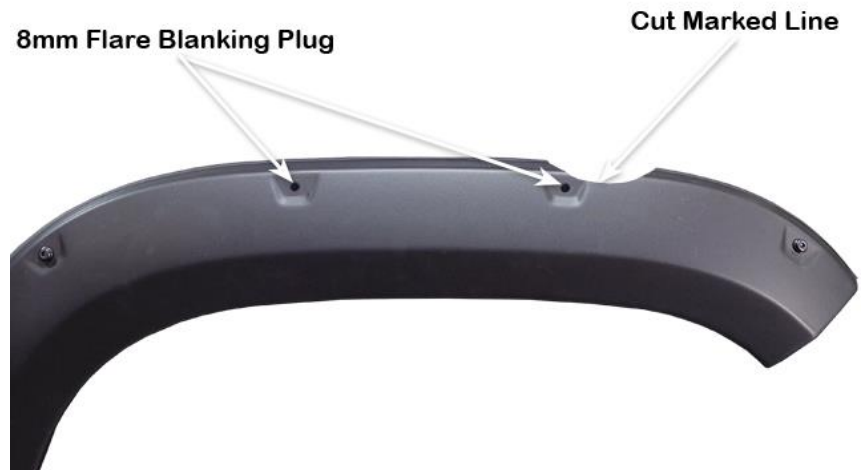
Mark all six mounting hole positions and cut out section, following the top and upper face of the flare, with a felt tip pen.

Leave template in position.



N.B: Models fitted with factory accessory flares (bolt-on look); it is recommended to:

- mark cut line on flare using guard panel template
- lift lower section of guard panel template
- remove the flare
- tape the lower section of template to the guard panel
- mark the lower cutout section on the guard panel (refer to image step 7 Pg. 6)
- remove template
- cut & discard marked section of flare
- use a file to neaten the cut
- install 8mm flare blanking plugs (Item 32) to flare
- Continue from step 11



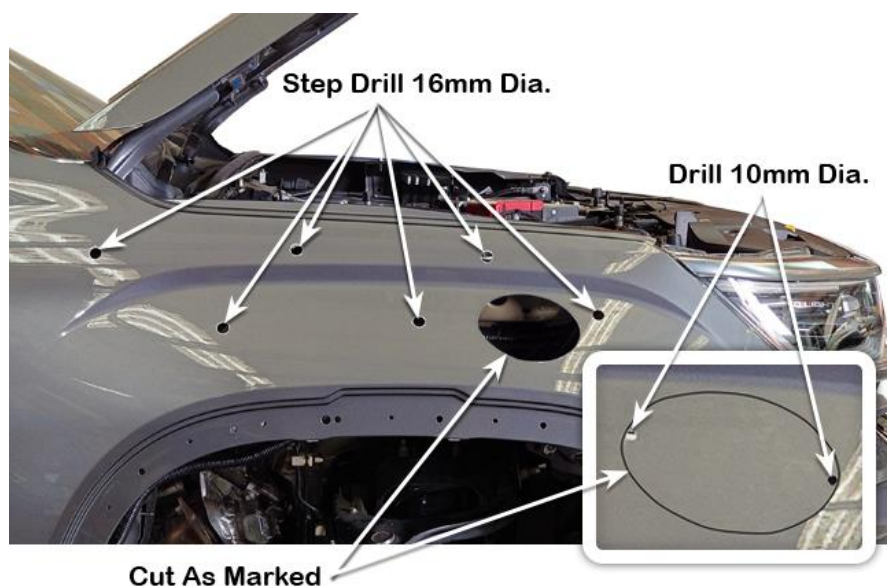
Drill a pilot hole for each of the marked hole positions.

Use a step drill to drill the six mounting holes to 16mm diameter.

Drill 1 or 2, 10mm diameter holes in the cut-out section of the guard panel for a start/stop point for the body saw.

Cut the main hole in the guard panel as marked from the template cut-out in step 3, cutting on the outside of the marked line.

Deburr and paint all holes to prevent rust.



NEW ZEALAND INSTALLATIONS ONLY :

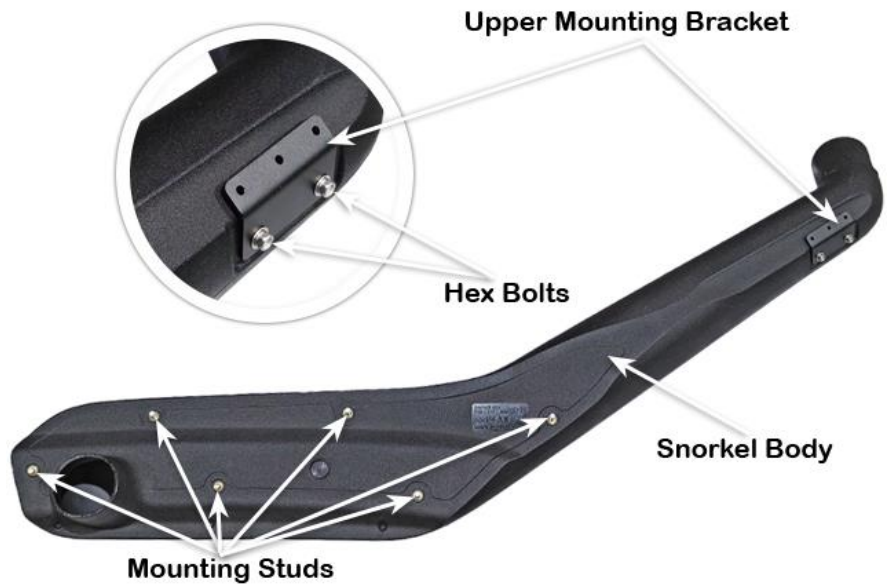
Safari have developed 2 methods of Snorkel A pillar attachment, for the conventional method please proceed with the current document alternatively please see the link below for further instructions.

www.safari4x4.co.nz/apillarmounting

12

Install the upper mounting bracket (Item 3) to the snorkel body (Item 1) with hex bolts (Item 6).

Apply Loctite 243 to each of the stainless-steel mounting studs (Item 7) and install the studs finger-tight into the snorkel body (Item 1) mounting inserts.



Non-Flare and Matte Black (Slimline) Factory Accessory Flare vehicles only (follow Step 13):

13

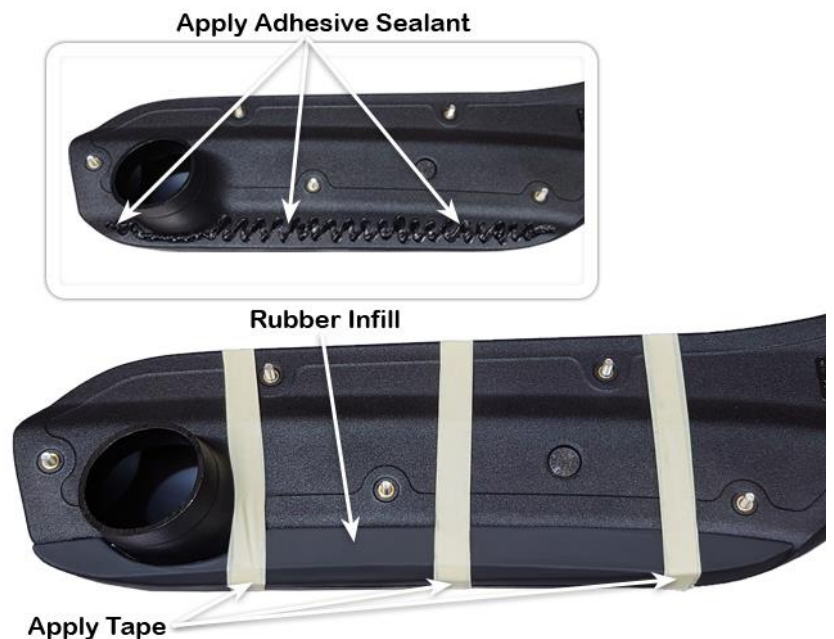
Apply Sikaflex adhesive sealant to the lower section of the snorkel body as shown.

Install the guard panel infill piece (Item 31) to the snorkel body (Item 1), tape the infill piece to the snorkel body in several positions to hold the infill piece in position, while the adhesive sealant cures.

Clean up any excess sealant to ensure a neat finish.

Hint: Tape around the entire snorkel body to secure infill piece.

N.B: Do NOT install the guard panel infill (Item 31) if the vehicle is fitted with bolt-on look factory accessory flares.



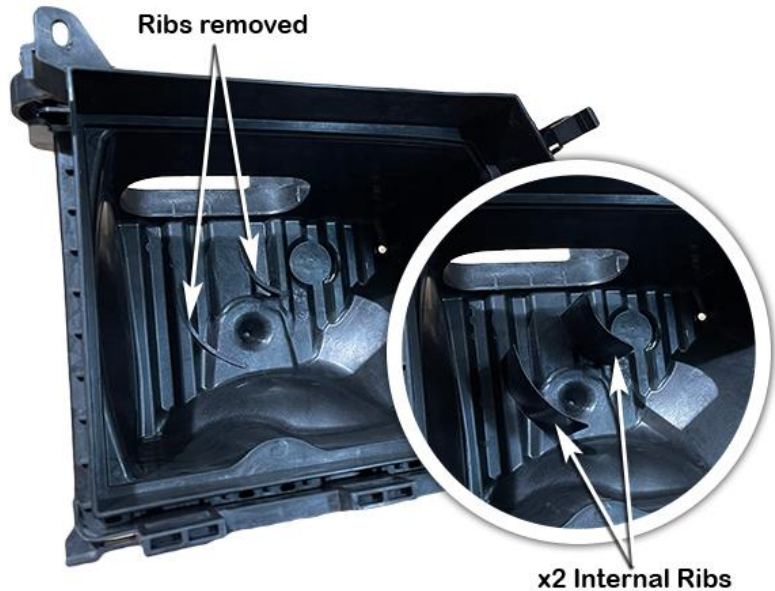
14

Remove and discard the standard air cleaner inlet duct from air cleaner base.



15

Using the body saw and die grinder, neatly remove the two air deflector ribs from inside the air cleaner base as shown.

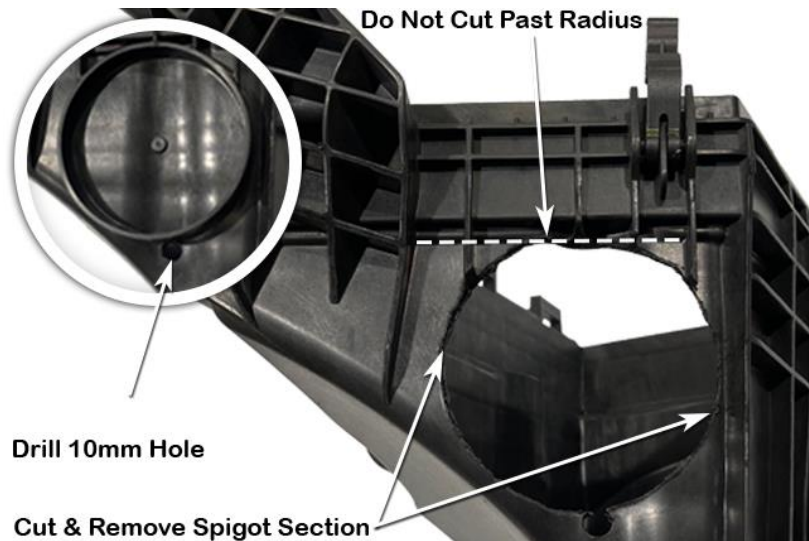


16

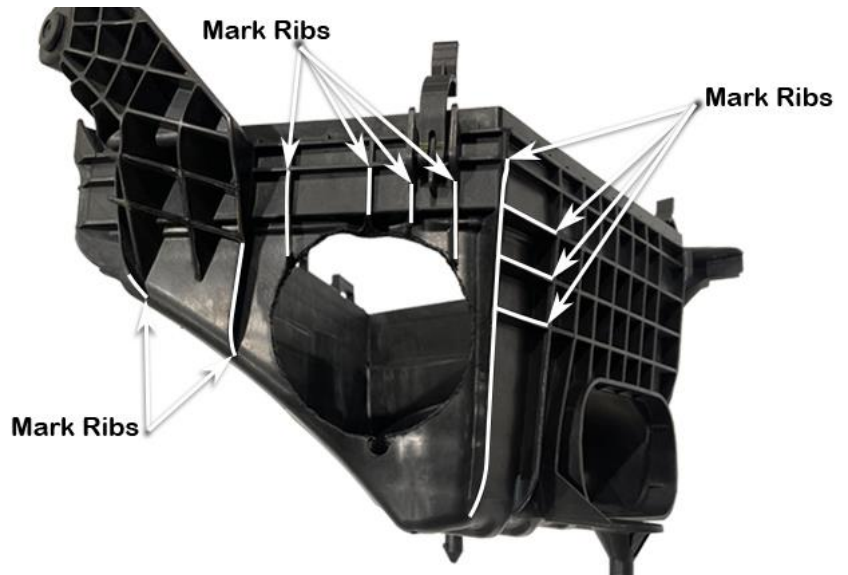
Drill a 10mm pilot hole through the air cleaner base below the 96mm diameter spigot on the side of the air cleaner base as shown.

Using the body saw, cut around the 96mm diameter spigot and remove.

Note: Cut as close as possible to the 96mm diameter spigot, especially around the top section.

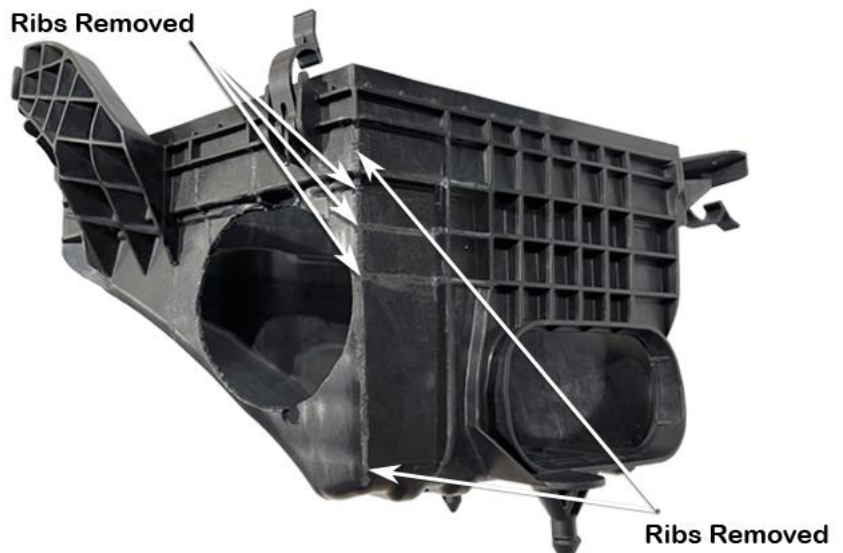


Using a paint pen marker, mark the front and side ribs on the air cleaner base as shown.



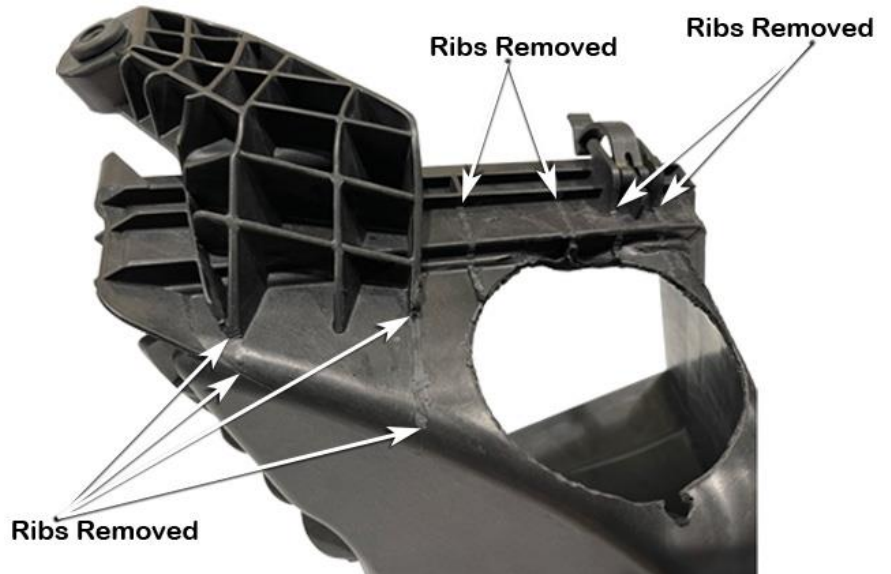
Neatly remove the highlighted ribs from the front of the air cleaner base as shown.

Tip: We recommend a body saw, hacksaw blade, chisel and die grinder as suitable tools.



Neatly remove the highlighted ribs from the side of the air cleaner base as shown.

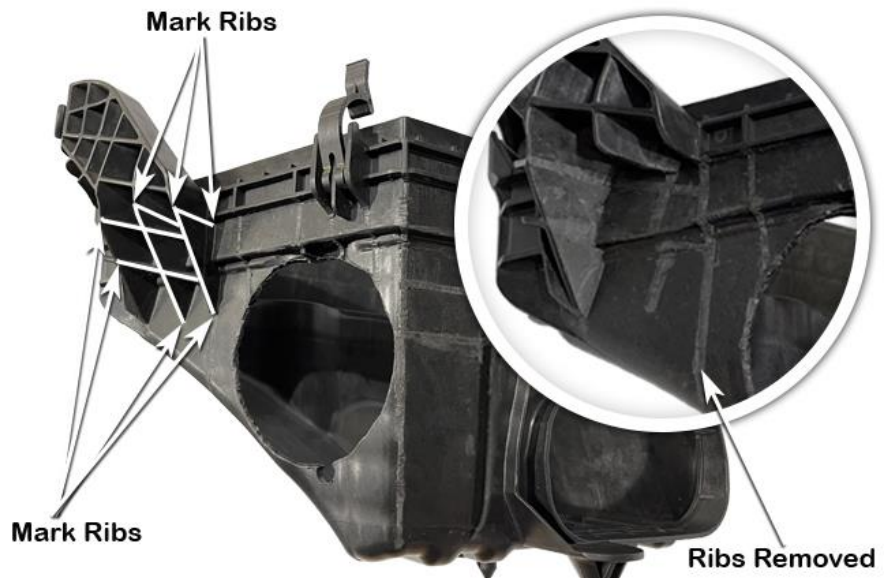
Tip: We recommend a body saw, hacksaw blade, chisel and die grinder as suitable tools.



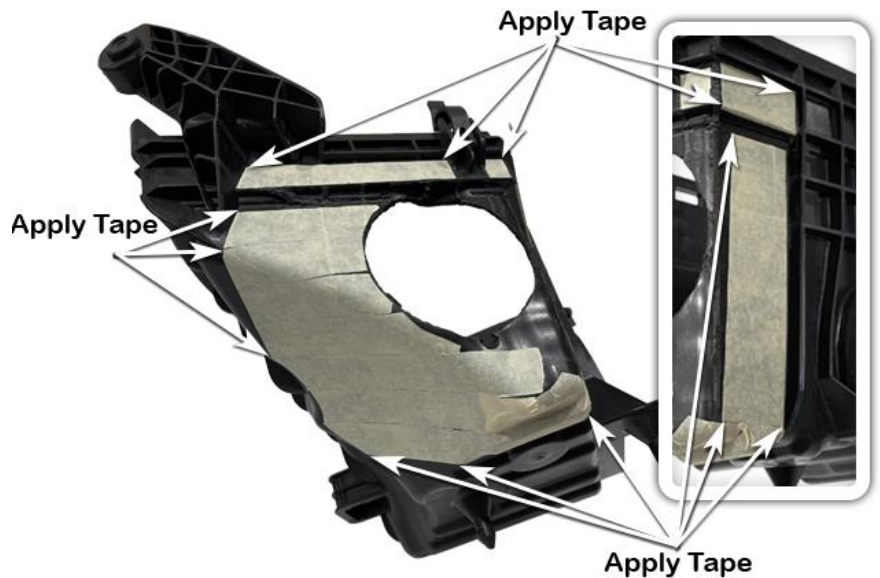
Using a paint pen marker, mark the ribs of the air cleaner base mounting bracket as shown.

Neatly remove the highlighted ribs from the lower section of the mount support structure as shown.

Tip: We recommend a body saw, hacksaw blade, chisel and die grinder as suitable tools.



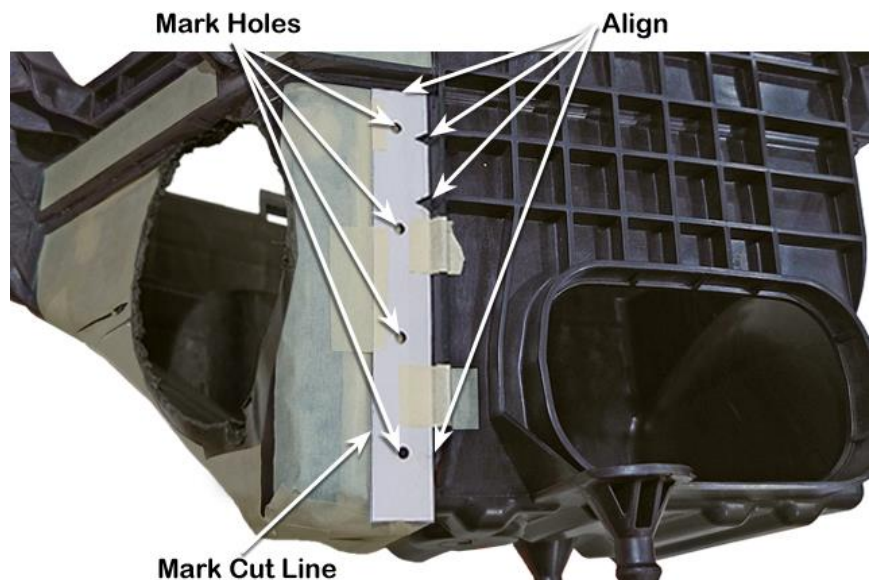
Neatly apply masking tape to the front, side and lower section of the air cleaner base as shown.



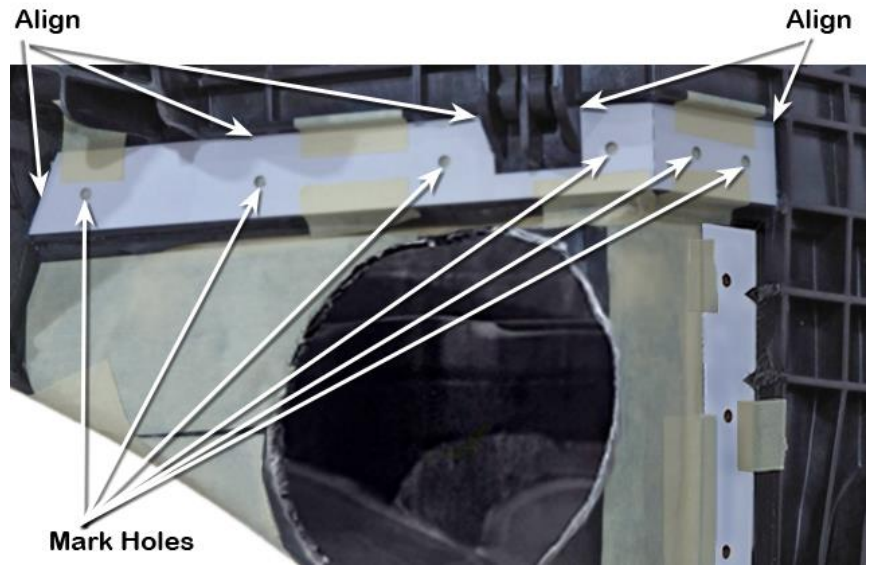
Align the front template (Item 27) to the side rib on the front of the air cleaner base and under the upper radius as shown.

Align the side notches of the template to the horizontal ribbing.

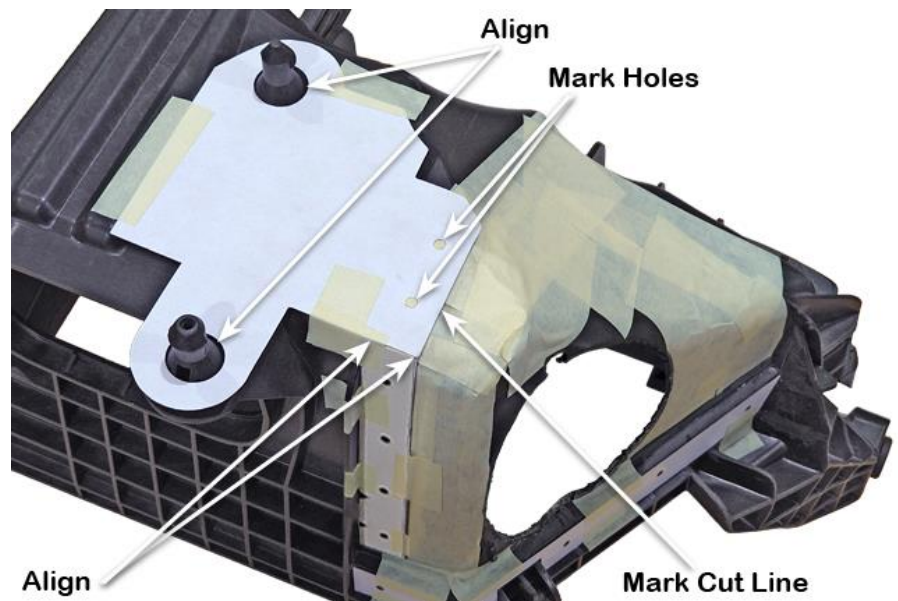
Tape template in position and mark the four hole positions and the cut line.



Align the upper template (Item 26) around the air cleaner clip housing and the upper rib as shown. Tape template in position and mark the four hole positions.

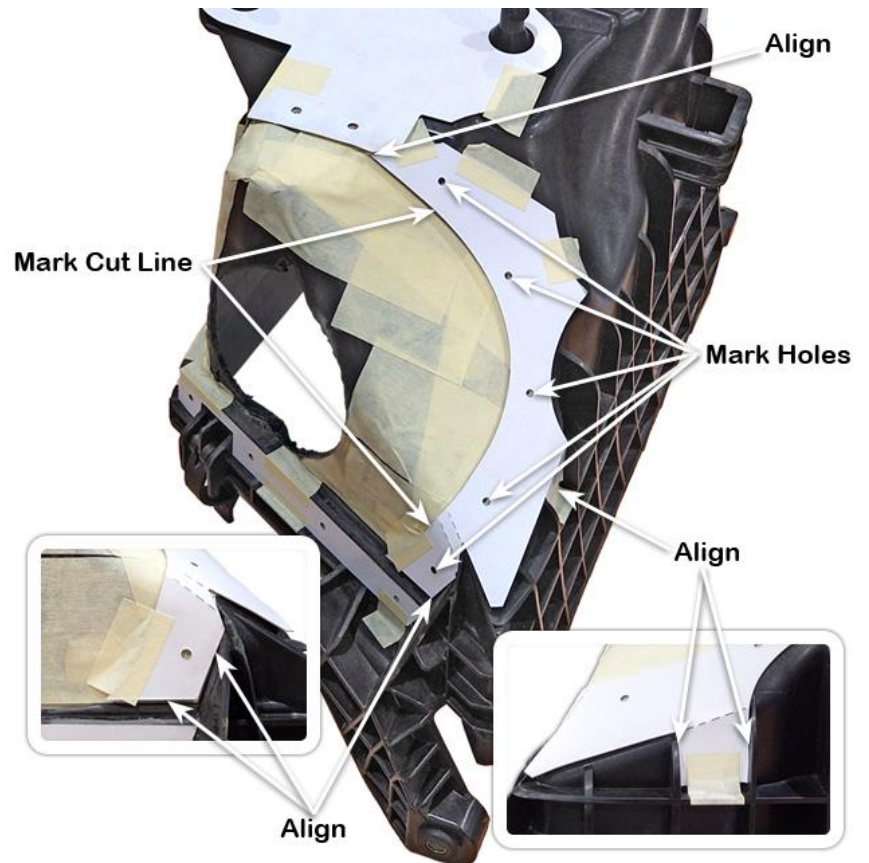


Align the lower template (Item 29) over the two air cleaner base mounting pins. Tape template in position and mark the two hole positions and the cut line.

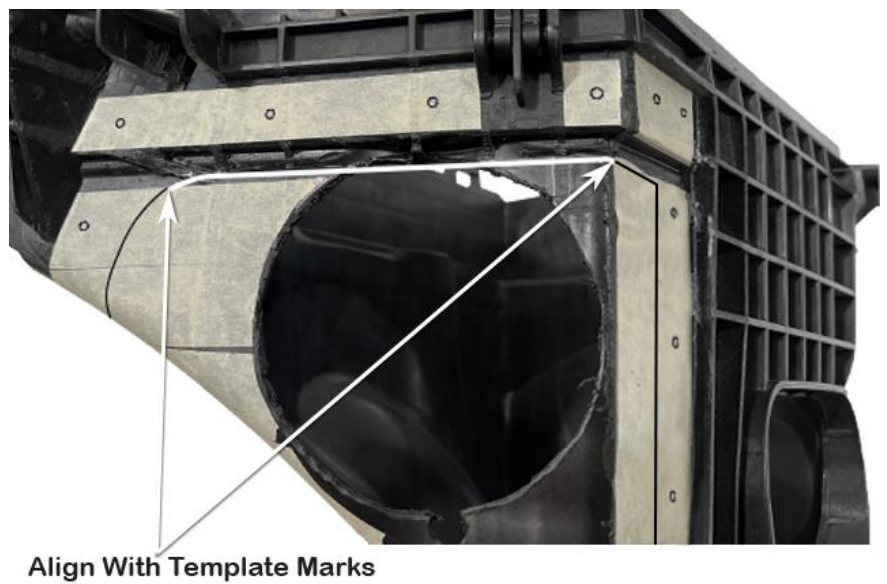


Align the main lower template (Item 28) between the 2nd and 3rd ribs at the rear of the air cleaner base and to the side of the angled mounting bracket rib and under the upper radius as shown. Tape template in position and mark the five hole positions and the cut line.

Remove the templates.

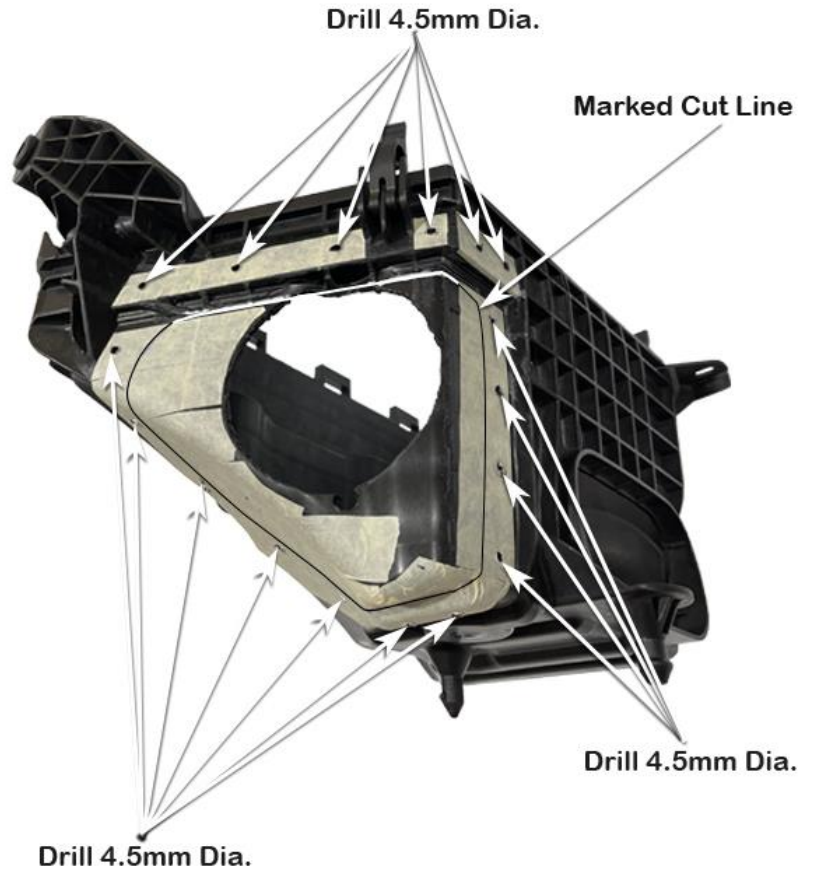


Extend the cut line under the radius from the front to the side of the air cleaner base as shown.



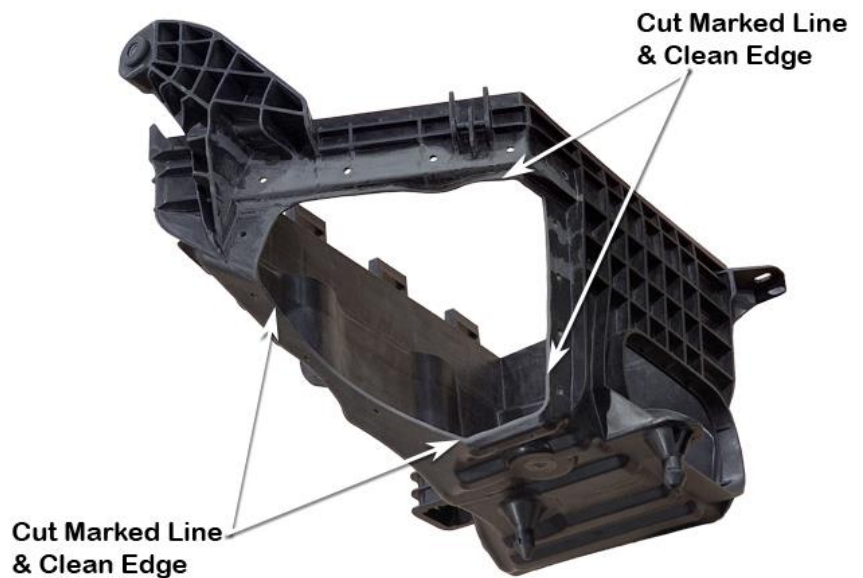
Drill a pilot hole at each of the seventeen marked hole positions, then drill the holes to 4.5mm diameter.

Deburr all holes.

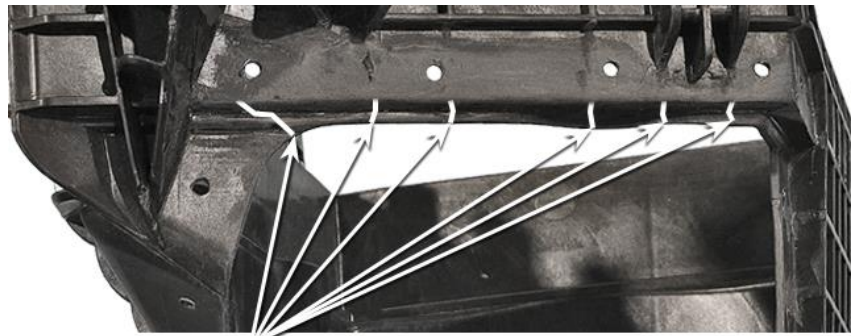


Using a body saw cut the new air cleaner inlet hole, as marked in steps 22, 24, 25 & 26.

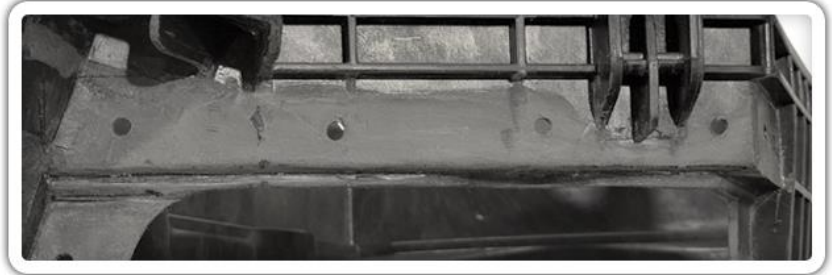
Neaten up the cut using a file or die grinder.



Clean up any of the remaining ribs shown with a file, sharp knife or die grinder.



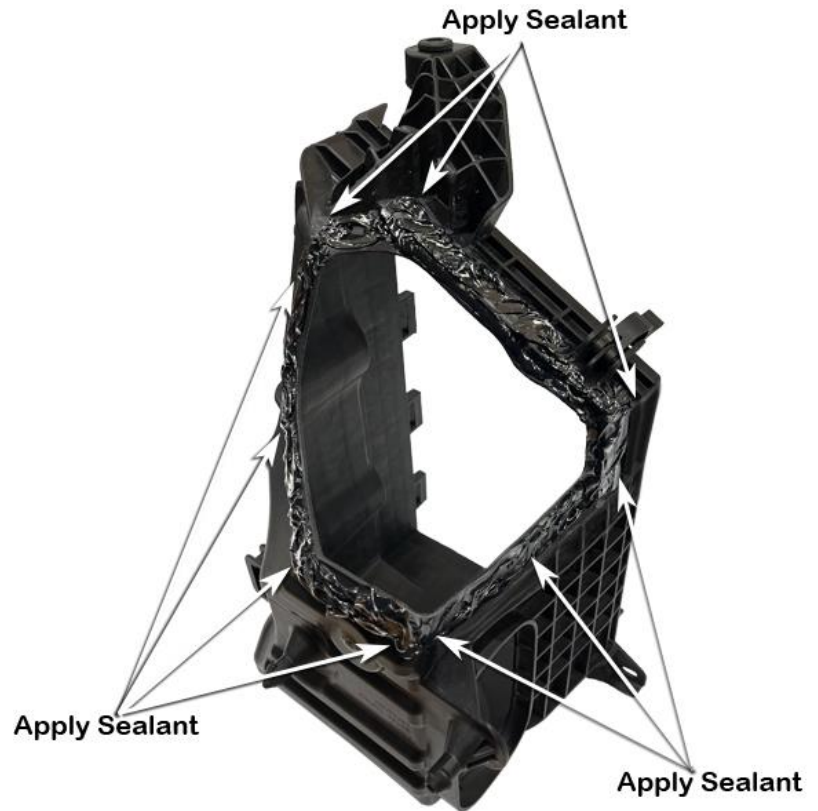
Remove Remaining Ribs



Slightly bend the main lower support plate (Item 15) to the curved shape of the hose as shown.



Apply a liberal amount of Sikaflex sealant to the flange of the air cleaner base.

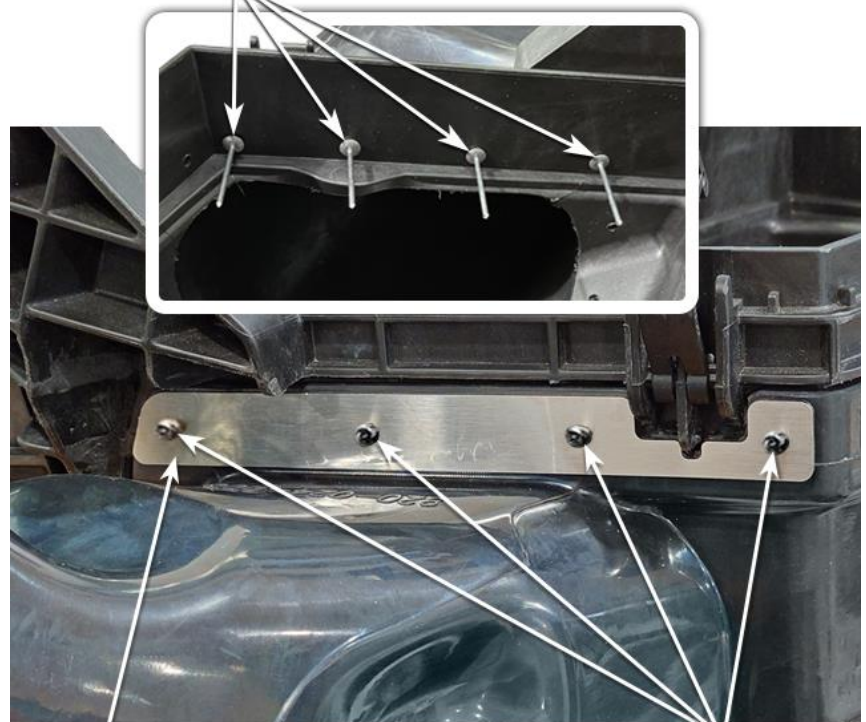


Install the air entry hose (Item 10) onto the air cleaner base, install pop rivets (Item 17) through the four upper side holes of the air cleaner base and hose.

Install the upper side hose support plate (Item 11) over the pop rivets, then using the pop rivet gun, secure the four pop rivets.

Note: Pop-rivet orientation, all pop rivets must be installed from the inside of the air cleaner base.

Install Pop Rivets

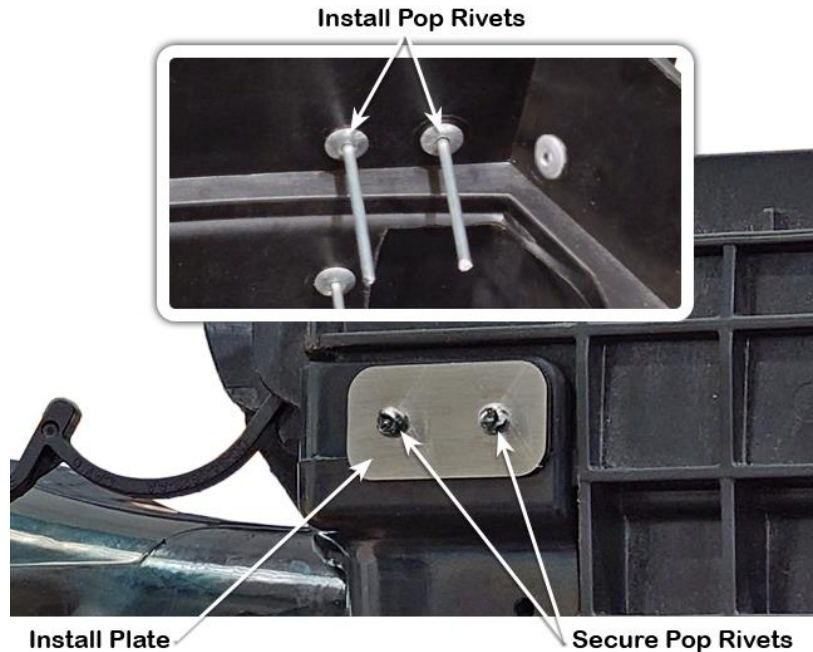


Install Plate

Secure Pop Rivets

Install pop rivets (Item 17) through the two front upper holes of the air cleaner base and hose, install the front upper hose support plate (Item 13) over the pop rivets, then using the pop rivet gun, secure the two pop rivets.

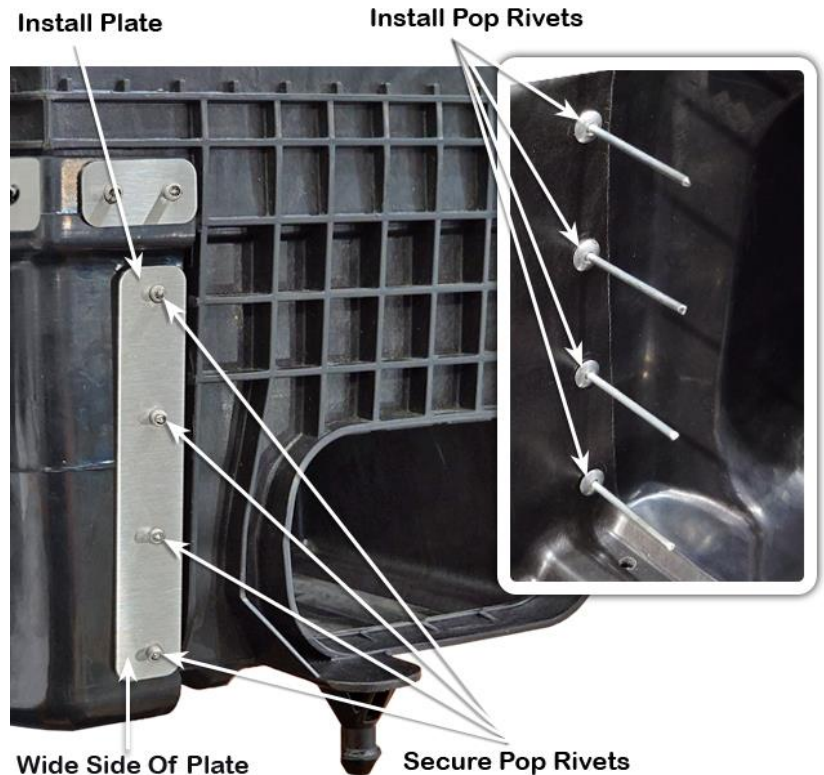
Note: Pop-rivet orientation, all pop rivets must be installed from the inside of the air cleaner base.



Install pop rivets (Item 17) through the four front lower holes of the air cleaner base and hose.

Install the main front hose support plate (Item 14) over the pop rivets, ensure the wider side of the support plate is on the same side as the air entry hose inlet, then using the pop rivet gun, secure the four pop rivets.

Note: Pop-rivet orientation, all pop rivets must be installed from the inside of the air cleaner base.



Install pop rivets (Item 17) through the four lower holes of the air cleaner base and hose, install the main lower hose support plate (Item 15) over the pop rivets. then using the pop rivet gun secure the four pop rivets.

Note: Pop-rievet orientation, all pop rivets must be installed from the inside of the air cleaner base.



Install two 4.0mm x 16mm B/H cap screws (Item 18) through the two lower holes of the air cleaner base and hose, install the small lower hose support plate (Item 12) over the two bolts, install a 4.0mm body washer (Item 19) and 4.0mm nyloc nut (Item 20) onto the bolts and tighten.

Note: Do not overtighten the nuts.

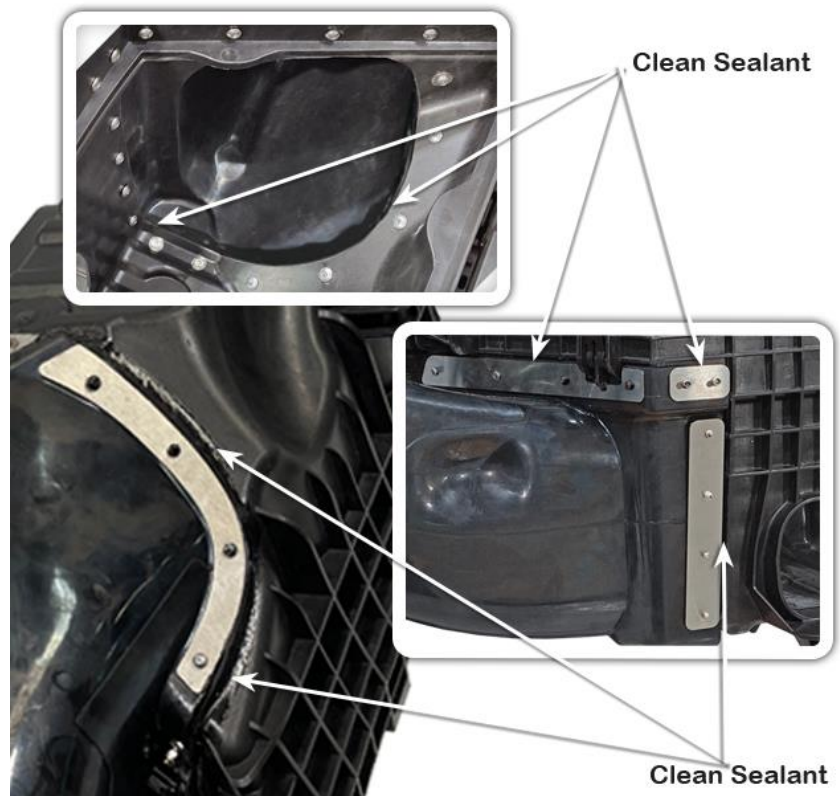


Install a 4.0mm x 16mm B/H cap screws (Item 18) with a 4.0mm body washer (Item 19) through the side rear hole of the air cleaner base and hose, install the rear hose support plate (Item 16) over the bolt, install a 4.0mm body washer (Item 19) and 4.0mm nyloc nut (Item 20) onto the bolt and tighten.

Note: Do not overtighten the nut.



Clean up the Sikaflex sealant on the inside and outside of the air cleaner base to ensure a neat finish. If required apply more Sikaflex sealant to any areas that require more sealant to ensure the fitment of the hose to the air cleaner base is correctly sealed.

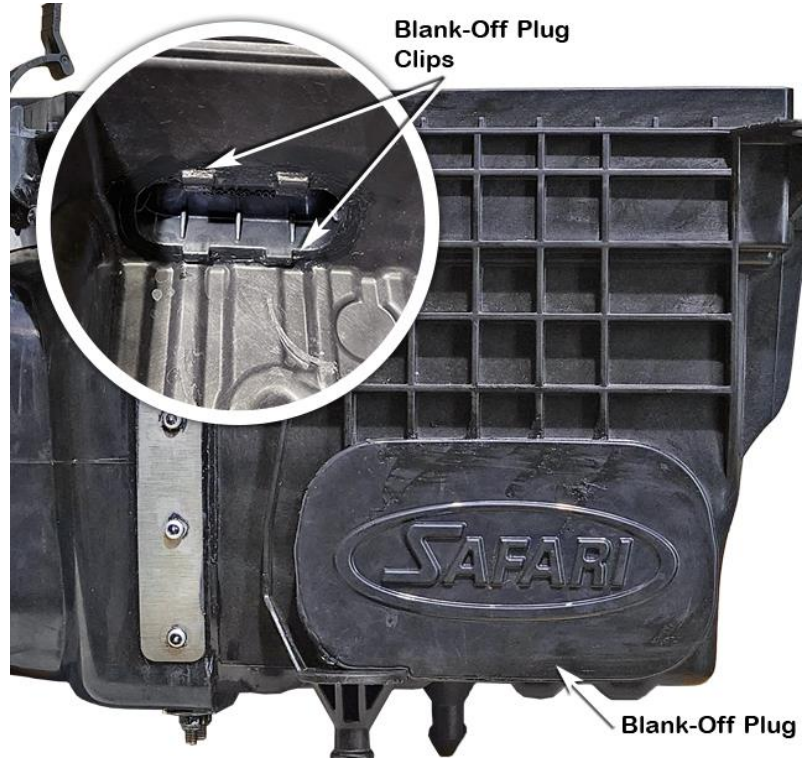


Apply Sikaflex adhesive sealant to the original air cleaner inlet hole and air inlet blank-off plug (Item 21).

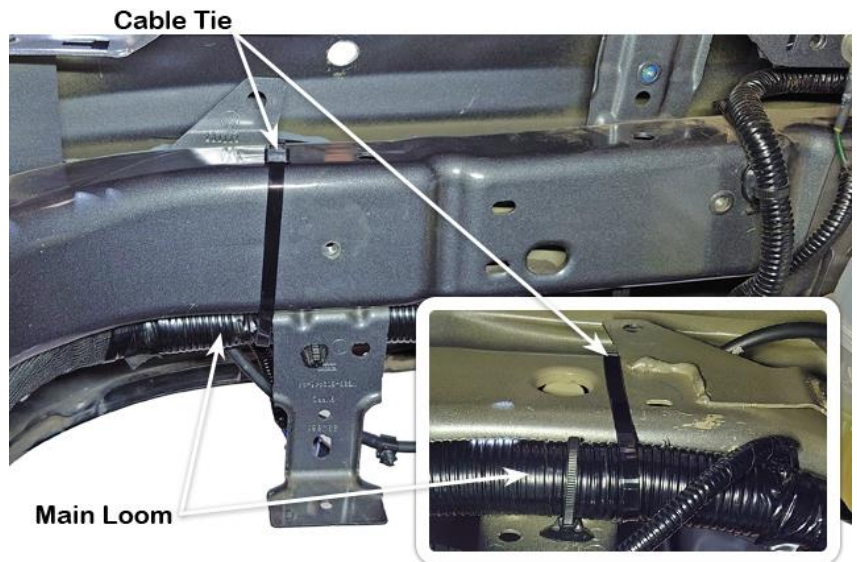
Install the blank-off plug into the original air cleaner inlet hole.

Ensure the blank-off plug is fully inserted into air cleaner base and blank-off plug clips are fully engaged.

Clean up any excess sealant to ensure a neat finish.

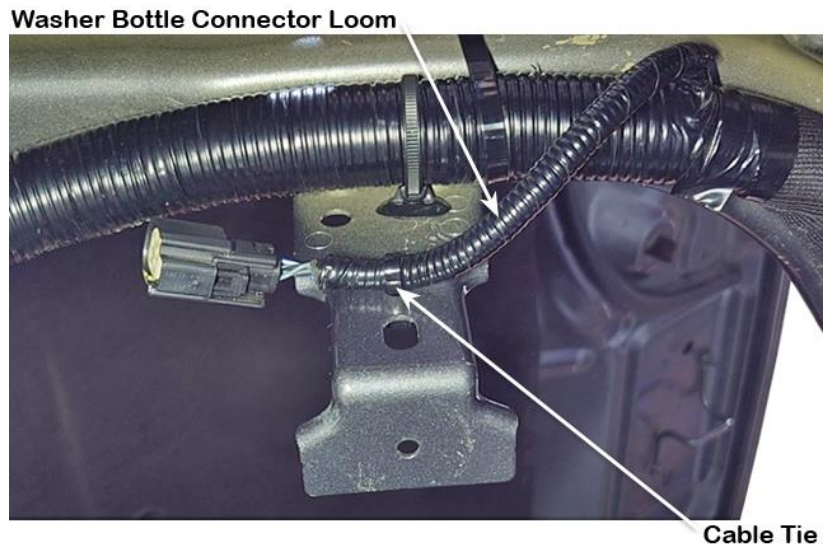


Cable tie the main loom to the vehicles top structure rail using large cable tie (Item 24) as shown.



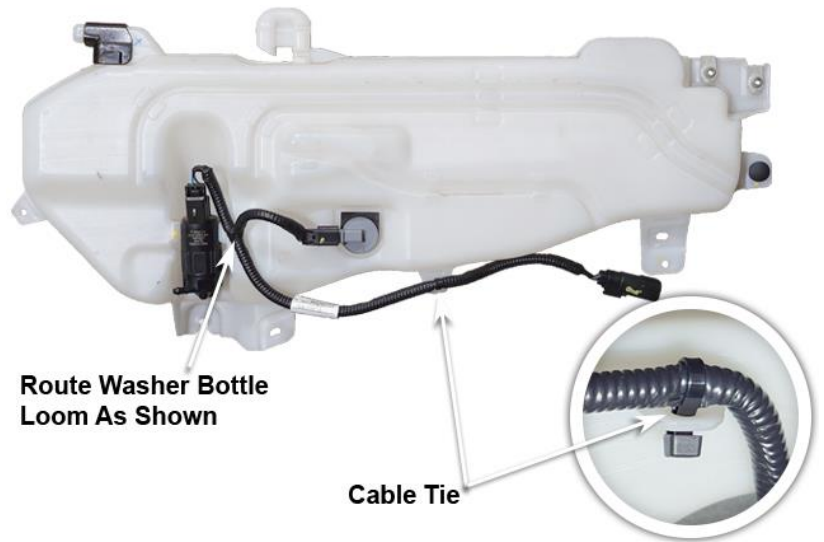
Using a small cable tie (Item 25), secure the washer bottle loom branch to the support, beneath the main loom, as shown.

Note: Ensure the washer bottle loom branch does not run directly underneath the main loom.



Route the washer bottle loom to run underneath the washer bottle as shown. Take care to not stress the wiring at the rear of the washer motor.

Use a cable tie (Item 25) to secure wiring loom to the underside tab of the washer bottle as shown.



Install the washer bottle in accordance with the factory manual.

Loosely install the 90/110mm hose clamp (Item 22) over the end of air entry hose (Item 10).

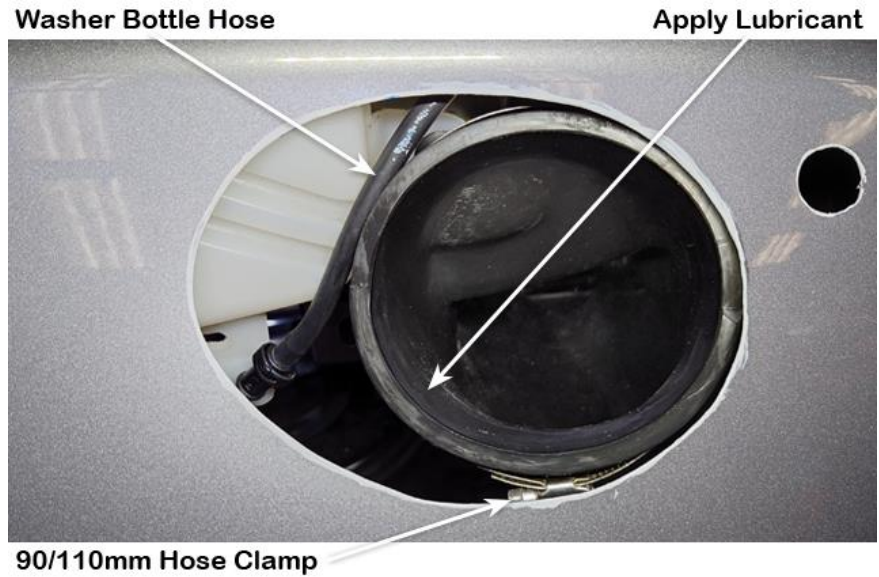
Note the orientation of the hose clamp.

Re-install the air cleaner base and air entry hose assembly into position.

Note: Ensure both air box lid retaining clips are in an upright position before lowering air cleaner base assembly into position and washer hose is positioned above the air entry hose upon installation.



Apply a small amount of lubricant inside the inlet of the air entry hose.



Place a strip of masking tape along the A-pillar panel.

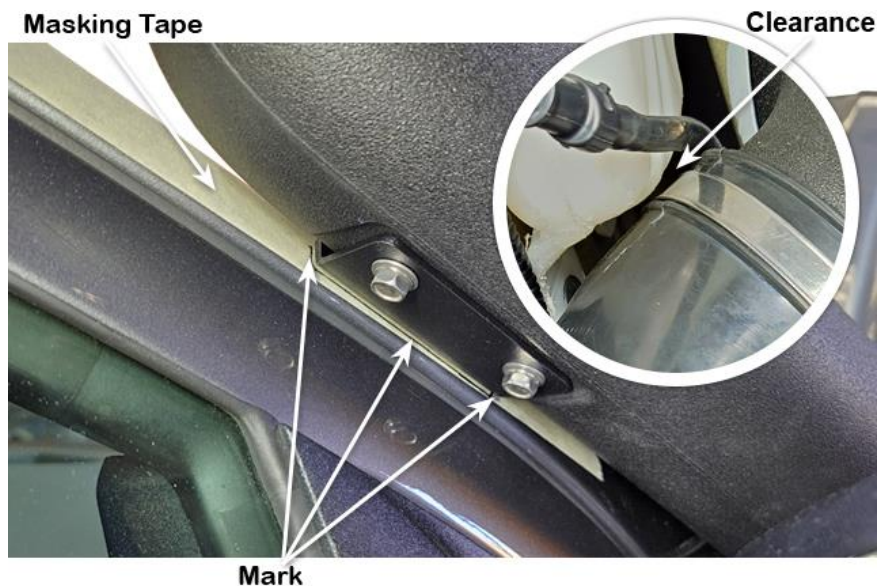
Carefully install the snorkel body (Item 1) to the guard panel whilst guiding the snorkel outlet into the air entry hose (Item 10).

Align the snorkel body to the guard panel, ensure there is clearance between the washer bottle and air entry hose.

Secure snorkel in position once clearance is attained.

With the snorkel body correctly positioned, mark the position of the upper mounting bracket onto the masking tape as shown.

Note: Distance from the marked line to the front door edge should be approx. 10.0 - 11.0mm as shown

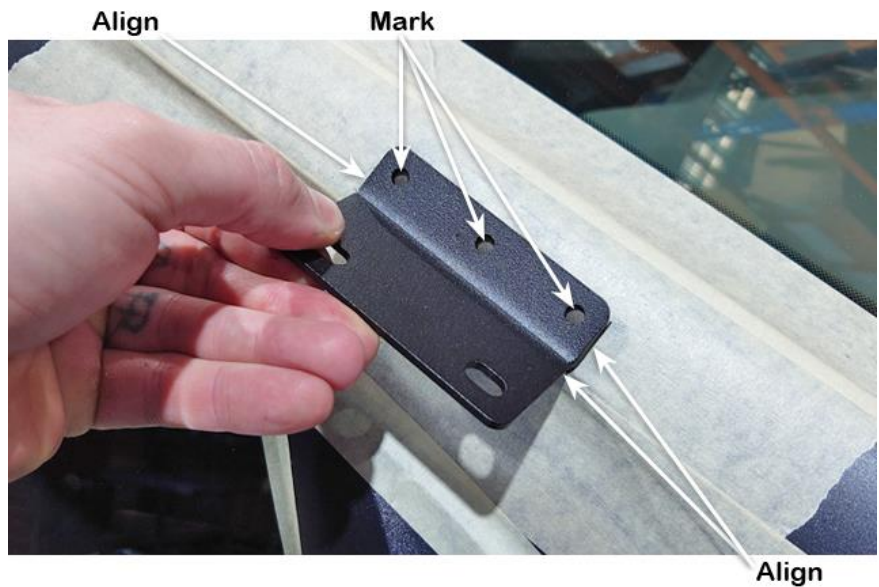


47

Remove the snorkel body (Item 1) from the vehicle and remove the upper mounting bracket (Item 3) from the snorkel body.

Position the upper mounting bracket onto the A-pillar, align the bracket to the marked bracket position on the masking tape.

With the bracket correctly positioned, mark the three mounting hole positions with a felt tip pen.

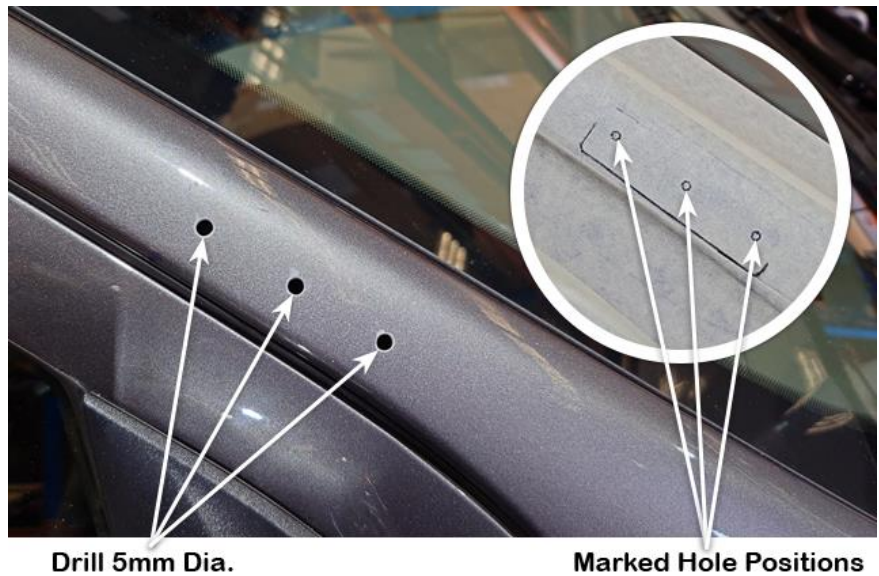


48

Drill a pilot hole at each of the three marked hole positions.

Drill each marked hole position to 5mm diameter with a 5mm drill bit.

Deburr and paint holes to prevent rust.



Drill 5mm Dia.

Marked Hole Positions

49

Install the nylon bracket gasket (Item 4) to the upper mounting bracket (Item 3) and install the upper mounting bracket and gasket to the A-pillar.

Install the three pop-rivets (Item 5) into the 5mm diameter holes in the A-pillar panel.

Note: The nylon gasket is positioned inbetween the upper bracket and A-pillar panel.



Upper Mounting Bracket

Nylon Bracket Gasket

50

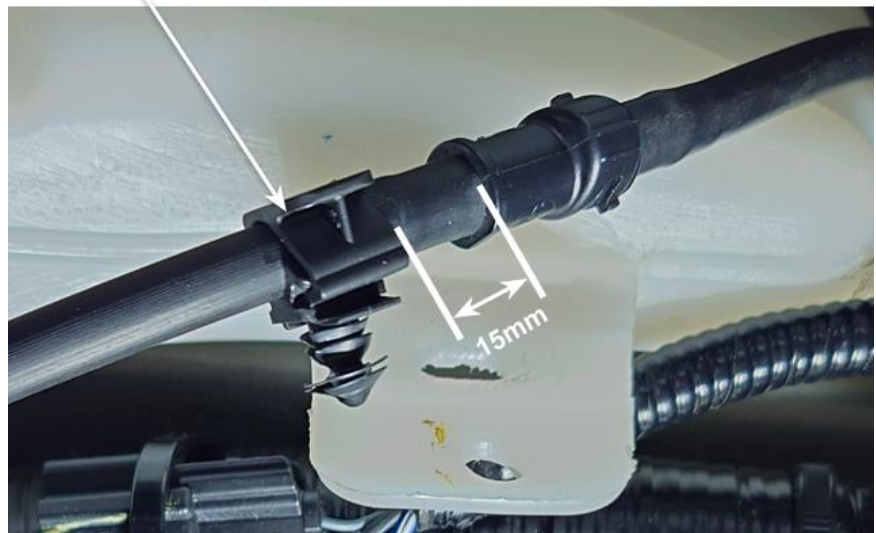
Using a pop-rivet gun, secure the upper mounting bracket (Item 3) and nylon gasket (Item 4) to the A-pillar panel.



51

Measure 15mm from the back of washer hose connection, towards rear of the vehicle and install the washer hose retaining clip previously retained in step 4.

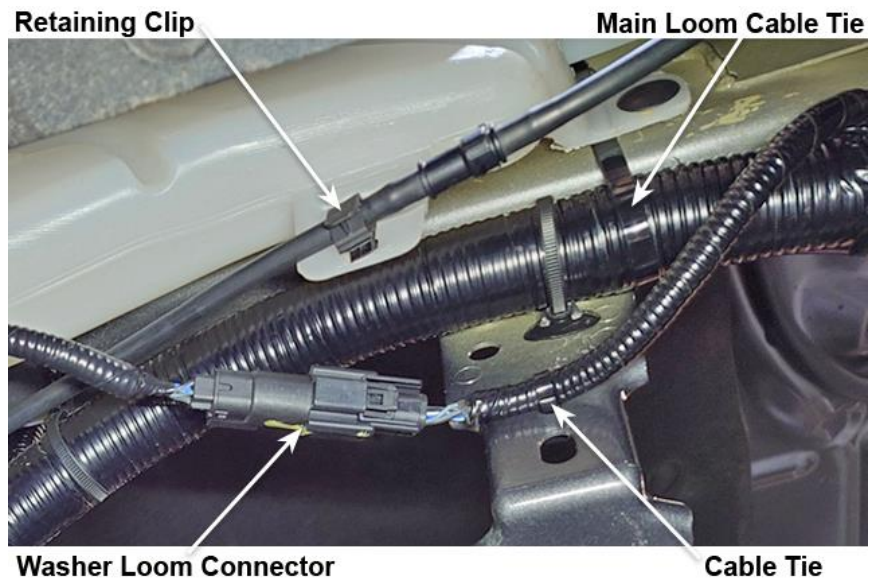
Install Retained Clip



52

Secure the washer hose to the washer bottle's underside mounting tab as shown.

Re-connect the washer bottle loom to the vehicle's connector in the new position.

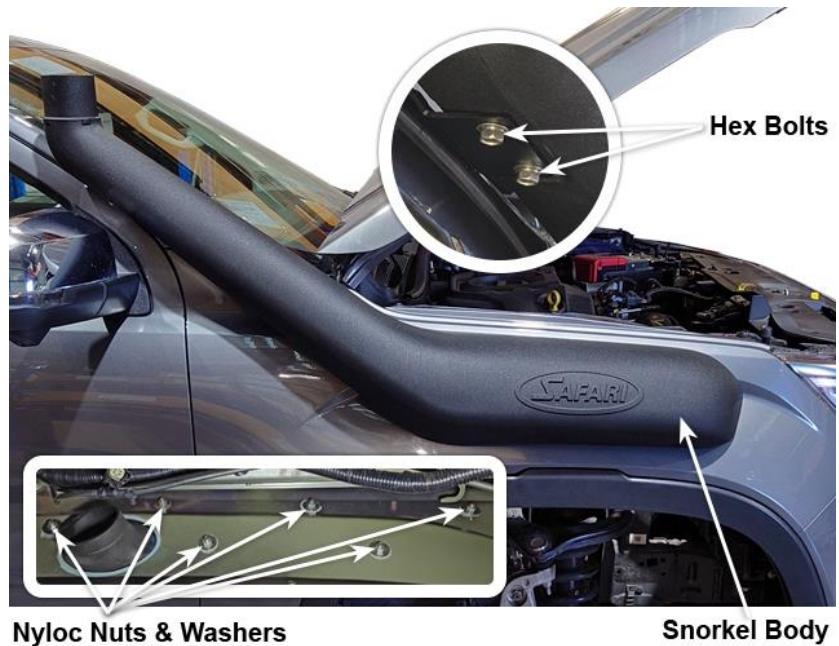


Remove the tape holding the rubber infill to the snorkel body (if fitted).

Carefully install the snorkel body (Item 1) to the guard panel whilst guiding the snorkel outlet into the air entry hose, align the snorkel body to the guard panel and upper mounting bracket (Item 3).

When correctly aligned, fasten the snorkel body to the guard panel with body washers (Item 8) and nyloc nuts (Item 9).

Fasten the snorkel body to the upper mounting bracket with hex bolts (Item 6).



With the air entry hose correctly installed onto the snorkel body outlet snout, tighten the 90/110mm hose clamp (Item 22).

Note: Ensure there is clearance between the washer bottle and air entry hose.

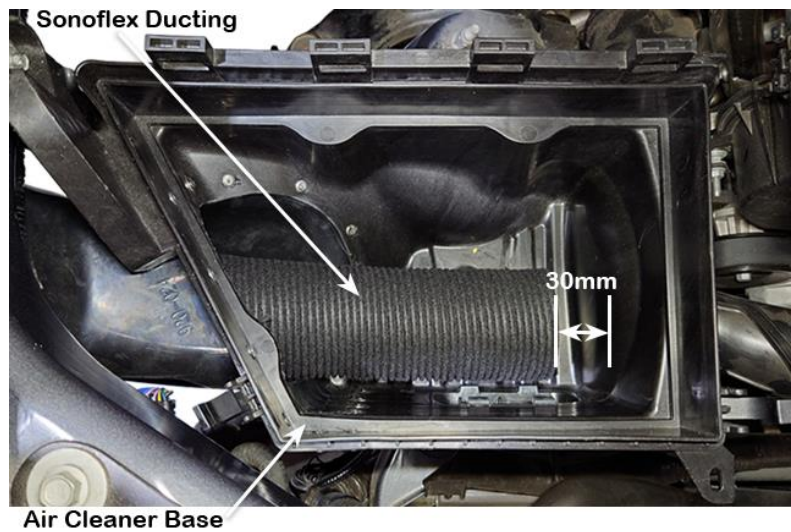


55

V6 DIESEL ENGINE
APPLICATION ONLY:
SONOFLEX INSTALLATION.

Install the Sonoflex ducting (Item 30) from the air cleaner base side, rotating and pushing the ducting all the way through the air entry hose (Item 10) until it contacts the outlet of the snorkel.

The Sonoflex ducting (Item 30) should protrude into the air cleaner base stopping approximately 30mm short of the inboard wall of the air cleaner base, as shown.



56

Install the black hose clamp (Item 23) loosely to the base of the air ram assembly (Item 2).

Install the air ram assembly onto the snorkel body.

Align the air ram and tighten the black hose clamp (Item 23).



57

Re-install the RH inner guard liner (**secondary splash guard section**), front wheel arch moulding, RH inner guard liner (**main splash guard section**), air cleaner element, air cleaner lid, reconnect sensor wiring and any other items that may have been removed during the snorkel installation process.

58

N.B: It is the installer's responsibility to ensure that all connections are watertight.