



SS792HPVD

SAFARI ARMAX SNORKEL

To Suit: Toyota LandCruiser 70 series MY24 Facelift
4.5L V8 Diesel (1VD-FTV Engine)_09/23-Onwards
(Replaces Factory Toyota Raised Air Intake)



Update 01/10/2024

Parts List

ITEM	PART NO	DESCRIPTION	QTY
1	334-133-600	BODY - SNORKEL (SS792HP)	1
2	000-135-980	4" AIR RAM ASSEMBLY	1
3	334-032-100	BRACKET - UPPER MOUNTING	1
4	334-435-000	GASKET - RUBBER – UPPER MOUNTING BRACKET	1
5	334-032-200	BRACKET - REAR MOUNTING (LOWER)	1
6	000-002-100	BOLT - HEX - 6mm x 1.0 x 14mm - SEMS	2
7	000-038-450	BOLT - TORX SCREW - 6mm x 1.0 x 12mm - Black S/S	2
8	000-951-480	SCREW - S/T - 4.2mm x 13mm	4
9	000-442G	GROMMET - M8 - RUBBER	1
10	000-442S	FERRULE - M8 x 11.15mm Long - S/S	1
11	000-110	STUD - 8mm x 1.25 x 25mm - S/S	5
12	000-311-300	WASHER - BODY - 8mm x 30mm - S/S	5
13	000-205-300	NUT - NYLOC - 8mm x 1.25mm - S/S	5
14	334-024-600	HOSE - AIR ENTRY	1

15	333-217-000	TEMPLATE - AIR CLEANER HOUSING (Rear)	1
16	333-217-100	TEMPLATE - AIR CLEANER HOUSING (Side)	1
17	333-217-200	TEMPLATE - AIR CLEANER HOUSING (Lower)	1
18	333-025-000	PLATE - HOSE SUPPORT - Main Upper	1
19	333-025-100	PLATE - HOSE SUPPORT - Side Upper	1
20	333-025-200	PLATE - HOSE SUPPORT - Lower Corner	1
21	333-025-300	PLATE - HOSE SUPPORT - Side Lower	1
22	333-025-400	PLATE - HOSE SUPPORT - Lower	1
23	000-958-150	POP RIVET - 4mm x 13mm	14
24	000-1912	CLAMP - HOSE - 110/130mm - S/S	1
25	334-017-600	TEMPLATE - GUARD PANEL	1



SS792HPVD

SAFARI ARMAX SNORKEL

To Suit: Toyota LandCruiser 70 series MY24 Facelift
4.5L V8 Diesel (1VD-FTV Engine)_09/23-Onwards
(Replaces Factory Toyota Raised Air Intake)

Installation Guide

Fitment to:

- Right Hand Side

Fitting Time:

- 180 min

Special Tools:

- Body Saw (Reciprocating)
- Step Drill
- Loctite 243 (Thread Lock)
- 2.0mm drill bit
- 6mm Spot weld drill / 6.5mm drill bit
- T30 Torx Drive
- Files / Grinder
- Masking Tape
- Touch-up Paint
- Sikaflex 227 Adhesive Sealant

Prior to commencing the installation, it is the installer's responsibility to verify that all components and particularly the guard panel template (Item 25) are correct.

1

Remove the following in accordance with the factory service manual:

- Air Cleaner Assembly

2

Remove and discard the Factory Toyota Raised Air Intake components (shown).

The following hardware must be retained,

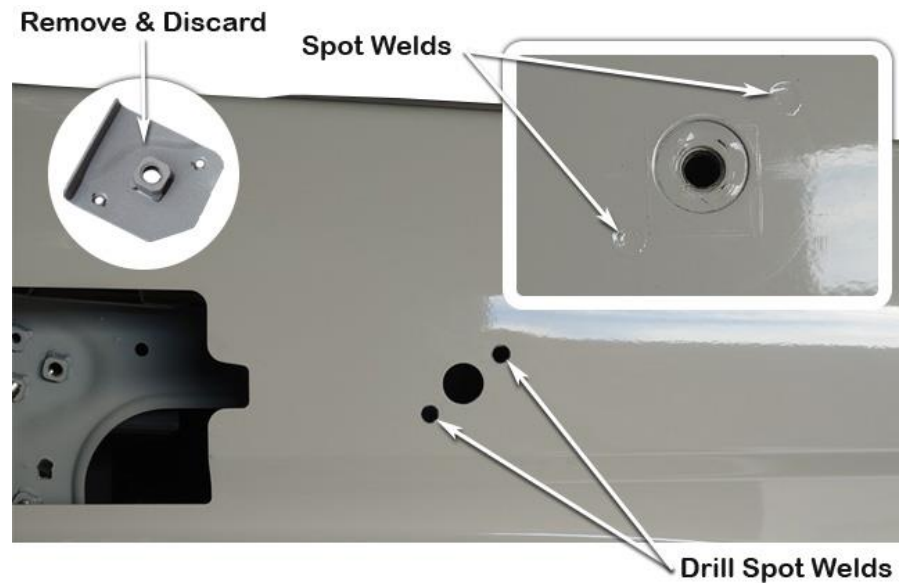
- x2 A-pillar bracket mounting bolt assemblies (20mm long)
- Rear mounting bolt assembly (30mm long).



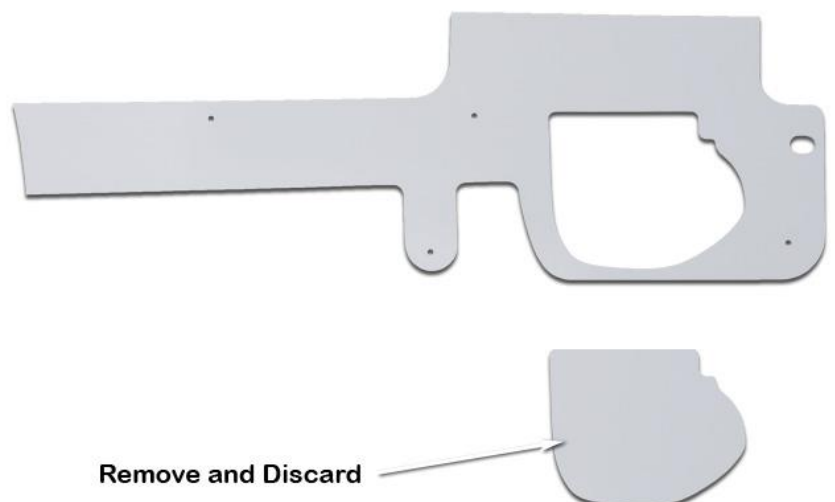
The front factory captive mounting nut assembly must be removed from the front RH guard panel.

The assembly is spot welded to the guard panel in two places. Firstly, identify where the assembly has been spot welded to the guard panel as the position of the spot welds may vary from vehicle to vehicle.

Drill a pilot hole in the centre of each spot weld and drill out the spot welds using a 6.5mm drill bit or spot weld drill bit. Use a small pry bar or flat blade screwdriver, on the backside of the guard panel, to break the spot welds from the guard panel and remove the nut assembly.



Remove and discard the perforated section from the guard panel template (Item 25) as shown.



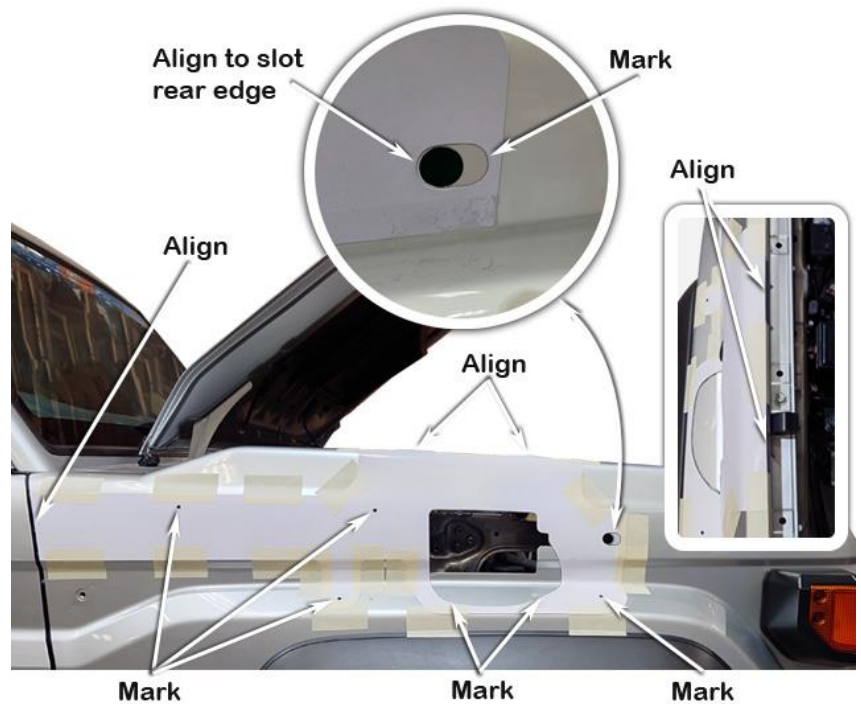
Align the guard panel template (Item 25) to the rear edge and upper edge of the guard panel.

Ensure to align the rear edge of the front template slot to the rear edge of the 18mm Dia. front factory hole of the guard panel as shown.

Tape the template to the guard panel with masking tape.

Mark all four hole positions, the snorkel body outlet hole and the front slot with a felt tip pen.

Remove the template.



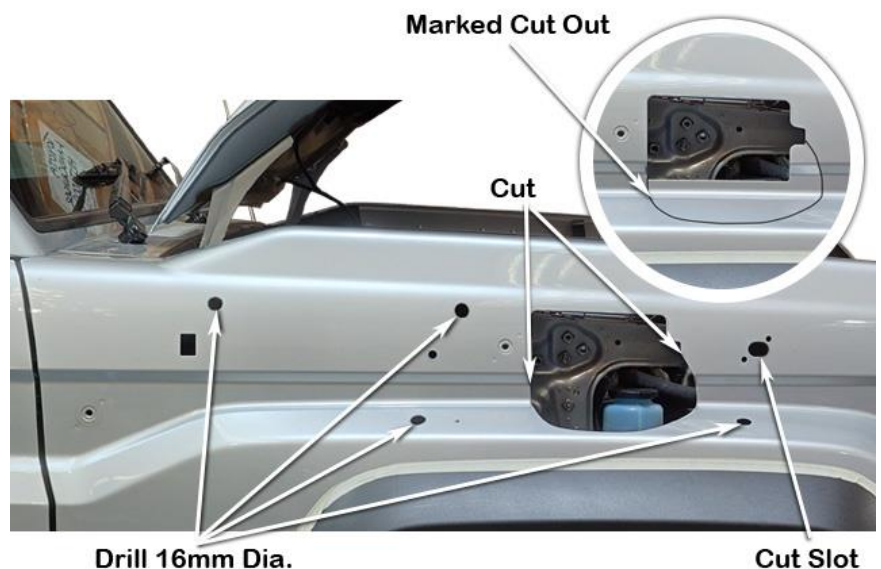
Drill a pilot hole at each of the marked hole positions.

Use a step drill to drill the four mounting hole positions to 16mm diameter.

Use a body saw to cut the marked snorkel body outlet section & front marked slot on the guard panel as shown.

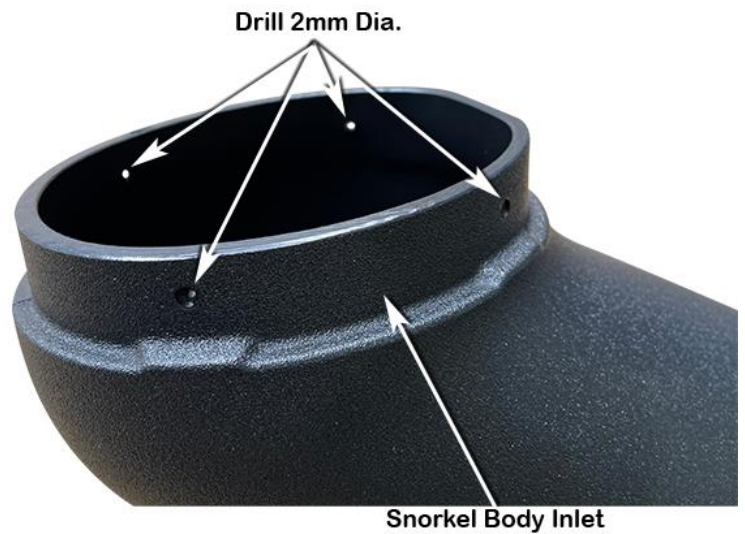
Deburr and paint all holes and cut sections of guard panel to prevent rust.

Hint: If the vehicle is fitted with flares, prior to any cutting or drilling, place a strip of masking tape along the flare seal and guard panel to prevent metal filings being trapped between the seal and guard panel.



Locate the four dimples around the inlet of the Snorkel body (Item 1).

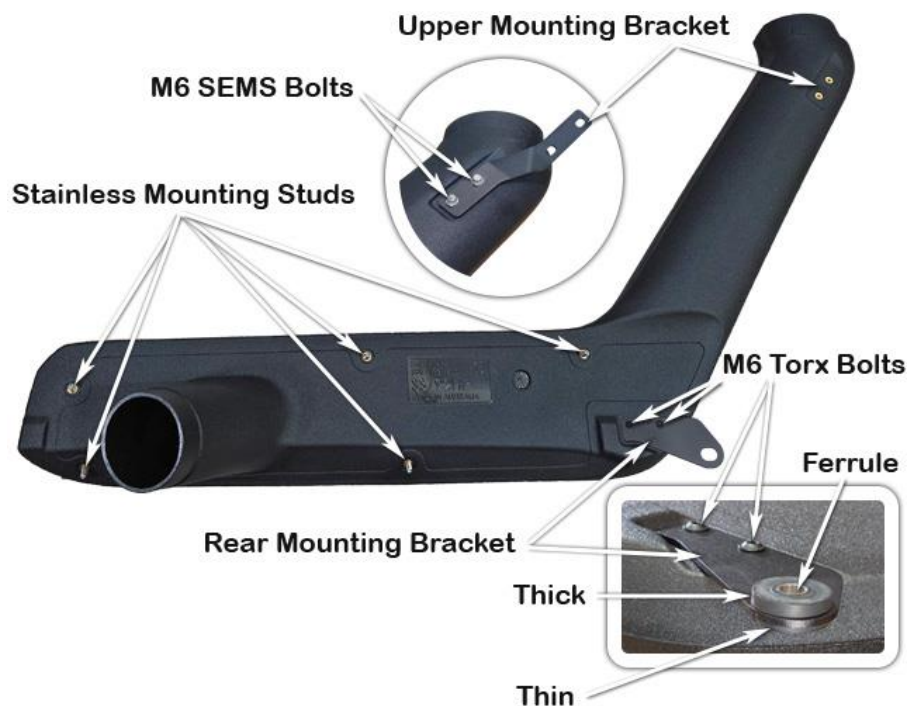
Drill a 2.0mm hole at each of the four dimple locations as shown.



Install the upper mounting bracket (Item 3) to the snorkel body (Item 1), with the M6 Hex SEMS Bolts (Item 6).

Align the upper mounting bracket (Item 3) in the relief as shown and finger tighten the M6 Hex SEMS bolts (Item 6).

Apply Loctite 243 to each of the stainless-steel mounting studs (Item 11) and install the studs finger tight into the snorkel body (Item 1) mounting inserts as shown.



Apply Loctite 243 to the two M6 x 12mm Torx bolts (Item 7) and secure the rear mounting bracket (Item 5) to the snorkel body (Item 1) as shown.

Install the rubber grommet (Item 9) into the rear mounting bracket (Item 5) with the thicker side of the grommet facing the panel/backside side of the snorkel body.

Install the stainless-steel ferrule (Item 10) into the grommet as shown.

Carefully install the snorkel body (Item 1) to the guard panel.

When correctly aligned, fasten the snorkel body to the guard panel with the body washers (Item 12) and nyloc nuts (Item 13).

Fasten the rear mounting bracket (Item 5) using the 30mm long genuine Toyota rear mounting bolt assembly retained in step 2.



Position the rubber bracket gasket (Item 4) between the upper mounting bracket (Item 3) and A 'Pillar. Ensure gasket is aligned to the x2 factory captive nut locations in the vehicle A 'Pillar.

Secure the upper mounting bracket (Item 3) to the A 'Pillar using the x2 20mm long genuine Toyota A-pillar bracket mounting bolts retained in Step 2.



Install the ARMAX air ram assembly (Item 2) onto the snorkel body.

Align the ARMAX air ram assembly mount holes with the four pre-drilled 2mm holes in snorkel body inlet.

Secure the ARMAX air ram (Item 2) to the Snorkel Body (Item 1) with four black self-tapping screws (Item 8).



Using the body saw, remove the air cleaner inlet snout from the air cleaner base.

(N.B: It is extremely critical that the inlet snout is removed correctly as shown, the snout must be cut-off flush from the housing and NOT cut-off around the snout).

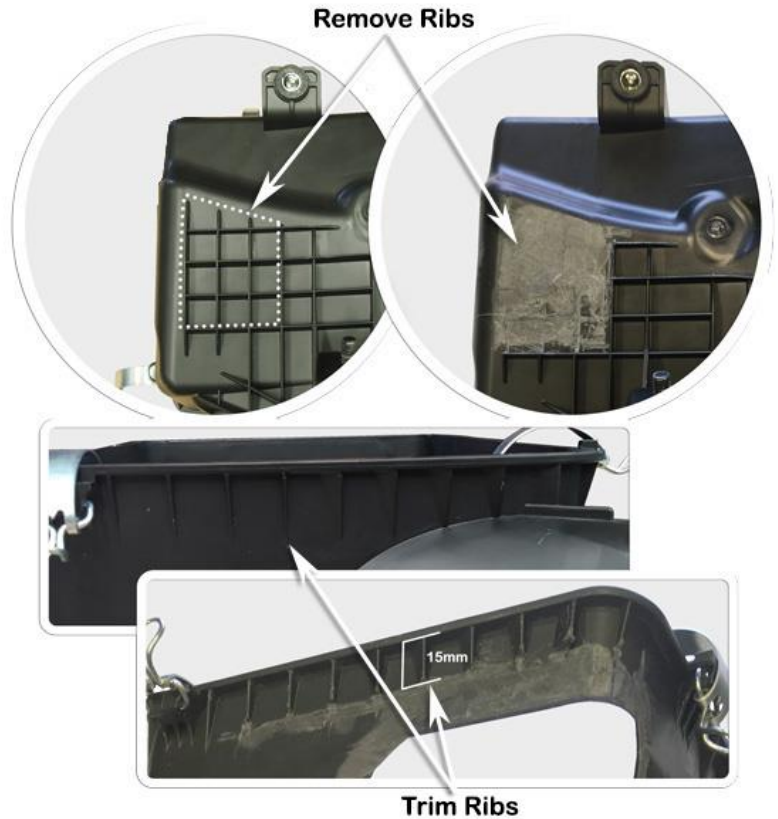
Use a grinder or files to neaten the cuts.



The following ribs on the air cleaner base must be removed or shortened as shown.

Using the body saw or grinder remove the 3 x 3 grid of ribs from the underside of the air cleaner base.

Measure 15mm down from the underside of the sealing face of the air cleaner base and shorten the 9 ribs shown using a flat file, sharp knife or grinder.



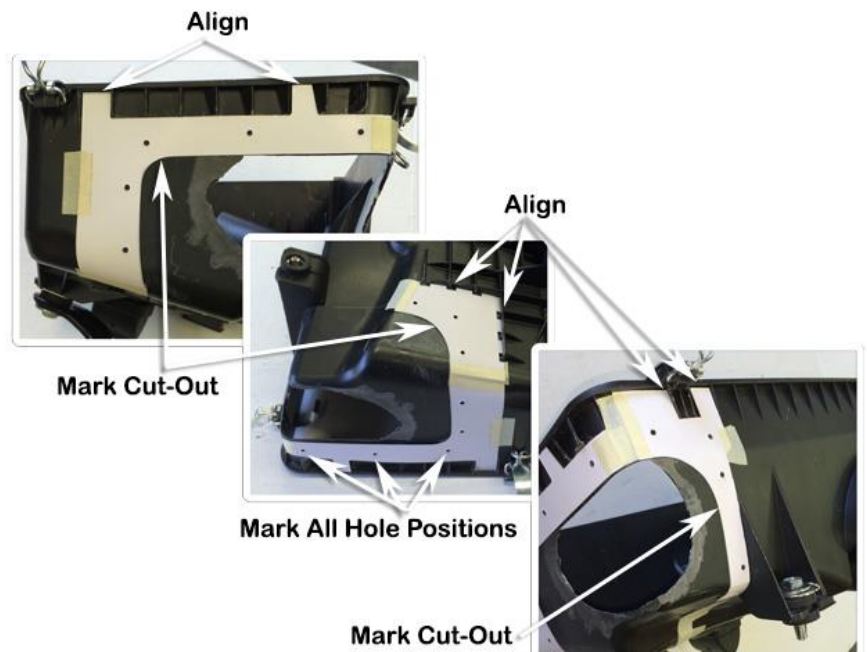
Align the rear air cleaner template (Item 15) to the rear of the air cleaner base as shown, tape the template to the air cleaner base with masking tape.

Align the side air cleaner template (Item 16) to the side of the air cleaner base as shown, tape the template to the air cleaner base with masking tape.

Align the lower air cleaner template (Item 17) to the underside of the air cleaner base as shown, tape the template to the air cleaner base with masking tape.

With all three templates aligned on the air cleaner base, mark all 14 hole positions and the required air cleaner base cut-out.

Remove the templates.



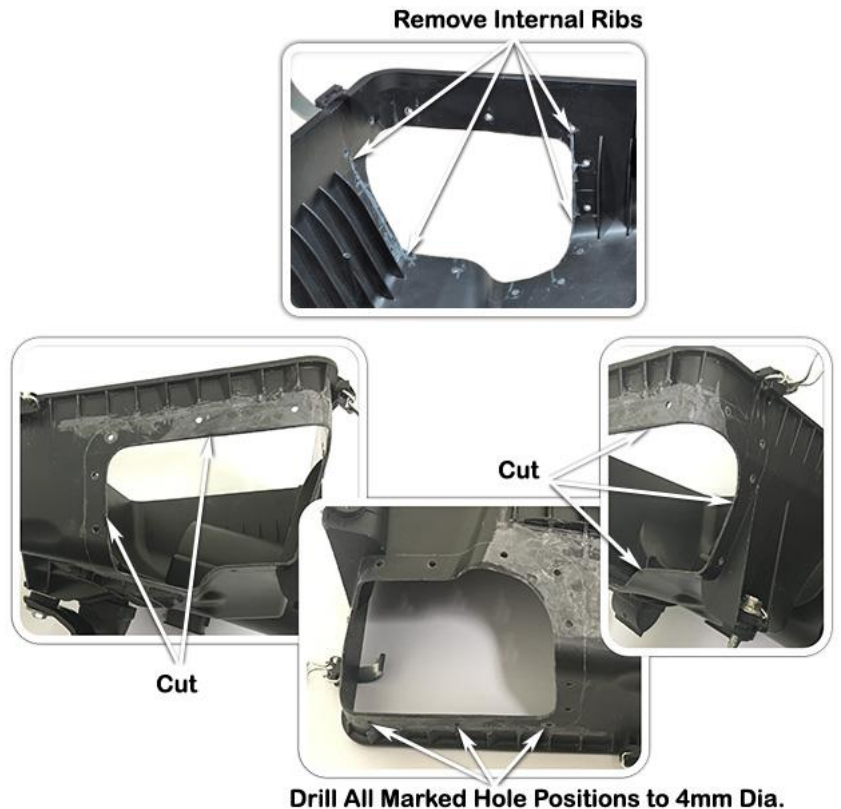
Using a 4.0mm drill bit, drill the fourteen marked hole positions.

Using the body saw cut the new air cleaner base inlet hole as marked in step 14, using the body saw remove the two internal ribs shown.

Trial fit the air entry hose (Item 14) to ensure the inlet hole size is correct.

Remove the air entry hose.

Deburr all 14 holes and the air inlet hole.



Apply specified adhesive sealant to the flange of the air entry hose (Item 14), apply an additional amount of sealant to the 4 corner sections of the air entry hose flange.

Install the air entry hose (Item 14) onto the air cleaner base. Position the hose support plates (Item's 18,19,20,21 & 22) onto the air entry hose flange.

Install all fourteen pop rivets (Item 23) from the inside of the air cleaner base through the air entry hose and clamping plates.

N.B: the orientation of all 14 pop rivets.

When all of the pop rivets are in place and the hose aligned correctly, work from the corner of the air cleaner base outwards and fasten the pop rivets using a pop rivet gun.

Clean-up any excess sealant to ensure a neat finish.

Note Orientation Of Pop Rivets



17

INSTALLER OPTION :

The air cleaner housing base contains a drain valve as shown. The drain valve can permit water to enter the air intake.

Safari advises that the drain valve should be sealed to ensure a watertight installation.



18

Loosely install the 110/130mm hose clamp (Item 24) loosely over the air entry hose (Item 14).

Note the orientation of the hose clamp.

Apply a small amount of lubricant to the inside of the air entry hose and install the air cleaner base assembly guiding the air entry hose over the snorkel body outlet snout.

Secure the air cleaner base with the original mounting hardware and tighten the 110/130mm hose clamp (Item 24).



19

Install the standard air filter element, air cleaner lid and any additional components that may have been removed during the snorkel installation process in accordance with the factory service manual.

20

N.B: It is the installer's responsibility to ensure that all connections are watertight.