



SS88HPE

SAFARI ARMAX SNORKEL
 To Suit: Toyota LandCruiser URJ200L (Pre-Facelift Model)
 5.7L V8 DOHC VVT-i Gasoline (3UR-FE Engine)



01/08/2018

Parts List

ITEM	PART NO.	DESCRIPTION	QTY
1	370-133-200	BODY - SNORKEL (SS88HP)	1
2	000-135-960	4" AIR RAM ASSEMBLY	1
3	370-032-200	BRACKET - UPPER MOUNTING	1
4	000-002-100	BOLT - HEX - 6mm x 1.0 x 14mm (SEMS) - S/S	2
5	000-951	SCREW - S/T - 4.2mm x 13mm - S/S	3
6	000-960	INSERT - PLASTIC	3
7	000-110	STUD - 8mm x 1.25 x 25mm - S/S	6
8	000-376	WASHER - RUBBER - 8mm x 33mm x 3mm	6
9	000-311-300	WASHER - BODY - 8mm x 30mm - S/S	6
10	000-205-300	NUT - NYLOC - 8mm x 1.25mm - S/S	6
11	370-024-400	HOSE - AIR ENTRY	1
12	000-1911	CLAMP - HOSE - 100/120mm - S/S	1
13	000-1913	CLAMP - HOSE - 120/140mm - S/S	1
14	000-1931/B	CLAMP - HOSE - No. 64 (BLACK)	1
15	370-016-200	GASKET - FOAM BODY (Self Adhesive)	1
16	370-017-200	TEMPLATE - FENDER	1



SS88HPE

SAFARI ARMAX SNORKEL

To Suit: Toyota LandCruiser URJ200L (Pre-Facelift Model)
5.7L V8 DOHC VVT-i Gasoline (3UR-FE Engine)

Installation Guide

Fitment to:

- Right Hand Side

Fitting Time:

- 180min

Special Tools:

- 114mm Holesaw
- Body saw (reciprocating)
- Step drill
- Files
- Loctite 243 (thread lock)
- Touch-up paint
- Prep-wash
- Masking tape

Prior to commencing the installation, it is the installer's responsibility to verify that all components and particularly the template (Item 16) are correct.

1

Remove the RHS mud flap, inner fender liner, fender mounted indicator (if fitted to vehicle) and the air cleaner assembly in accordance with the factory service manual.

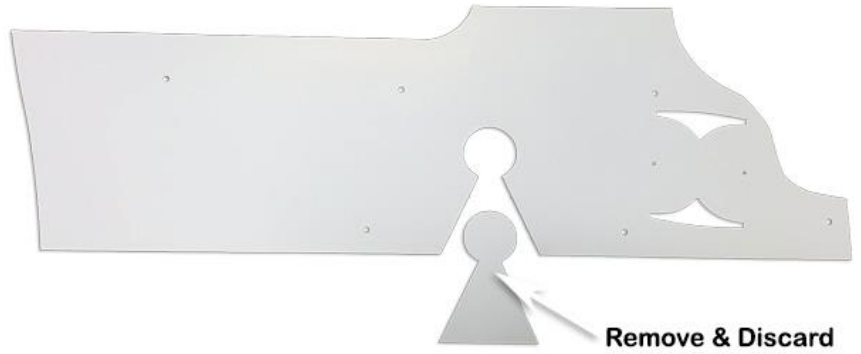
2

Remove and discard the air cleaner inlet duct from the inner fender panel.



3

Remove and discard the perforated section of the fender template (item 16) as shown.



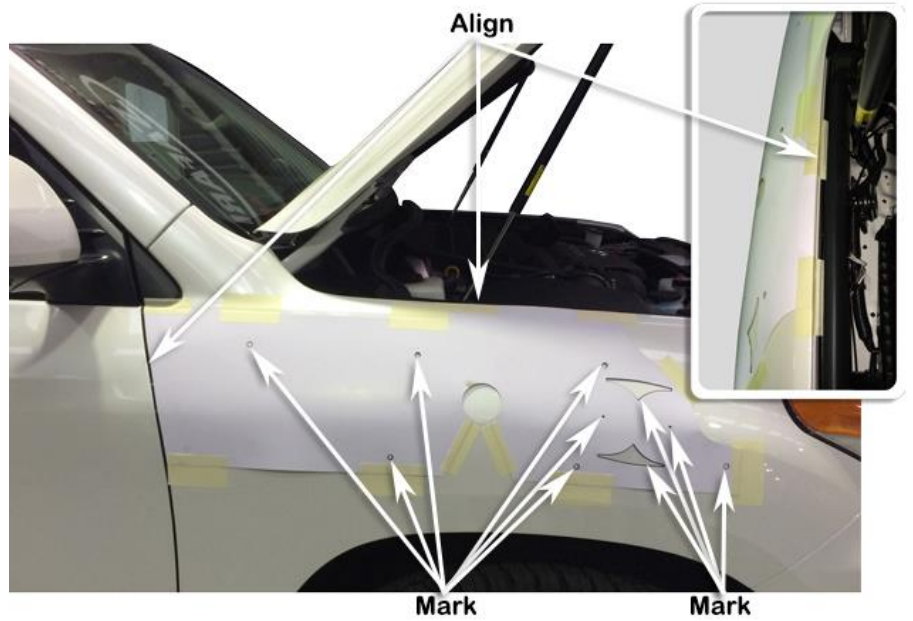
4

Align the fender template (Item 16) to the upper and rear edges of the right hand fender as shown.

Tape the template to the fender with masking tape.

Mark all hole positions and the upper and lower cut out sections with a felt tip pen.

Remove the template.



5

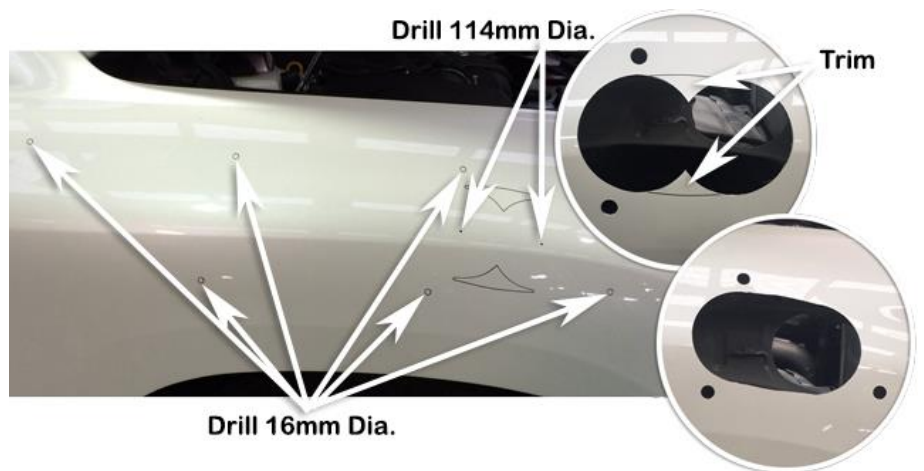
Drill a pilot hole for each of the marked positions.

Use a step drill to drill the 6 mounting holes to 16mm diameter.

Use a 114mm diameter hole saw to drill the snorkel body outlet snout hole positions.

Use a body saw to trim away the upper and lower sections of the fender between the two 114mm diameter holes as per the template cut outs.

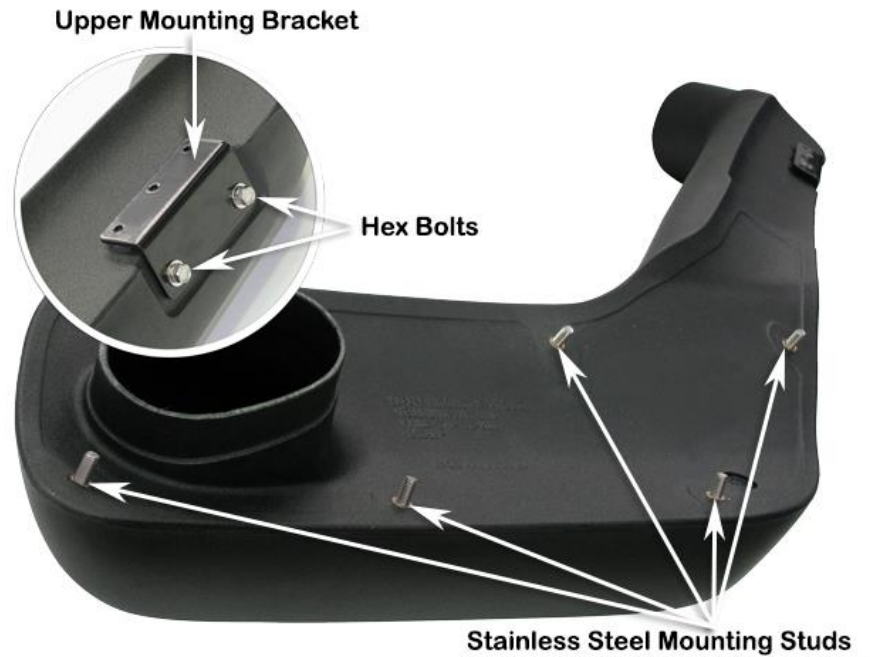
Deburr and paint holes.



6

Install the upper mounting bracket (Item 3) to the snorkel body (Item 1) with hex bolts (Item 4).

Apply Loctite 243 to each of the stainless steel mounting studs (Item 7) and install the studs finger tight into the snorkel body (item 1) mounting inserts as shown.



7

Remove the self-adhesive backing sheet from the foam body gasket (Item 15).

Align the foam body gasket (adhesive side down) to the back of the snorkel body and press down on the foam body gasket to adhere to the snorkel body (Item 1).

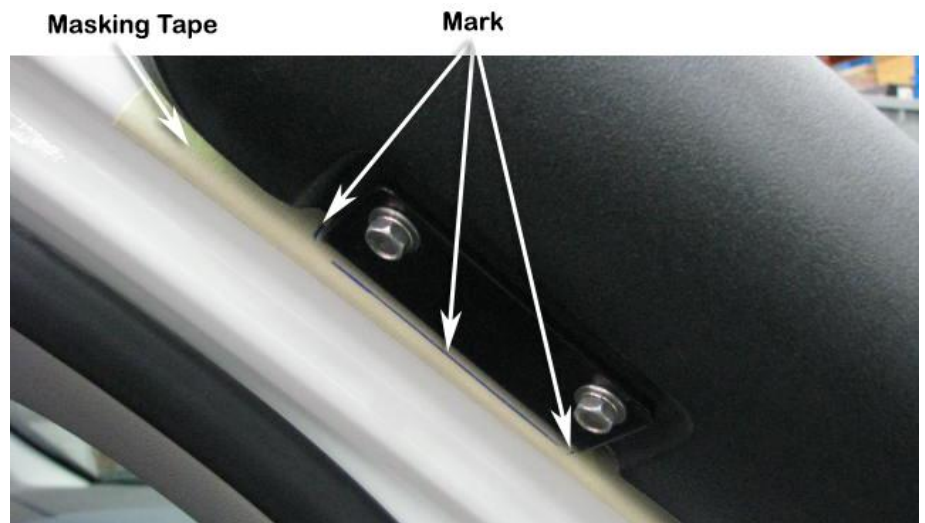


8

Place a strip of masking tape along the A-Pillar panel.

Carefully install the snorkel body (Item 1) to the fender.

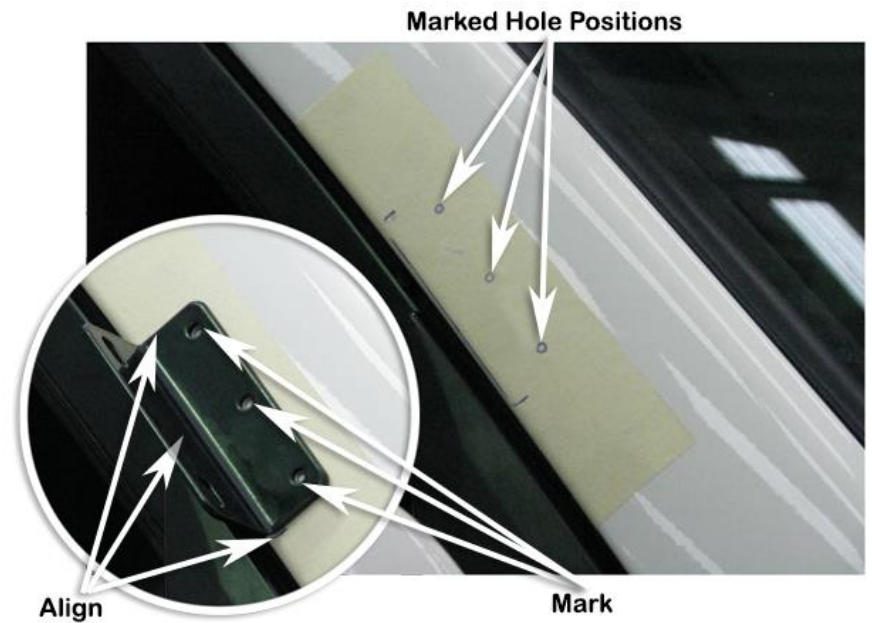
With the snorkel body correctly positioned, mark the outline of the upper mounting bracket (Item 3) onto the masking tape.



9

Remove the snorkel body (Item 1) from the vehicle, remove the upper mounting bracket (Item 3) from the snorkel body.

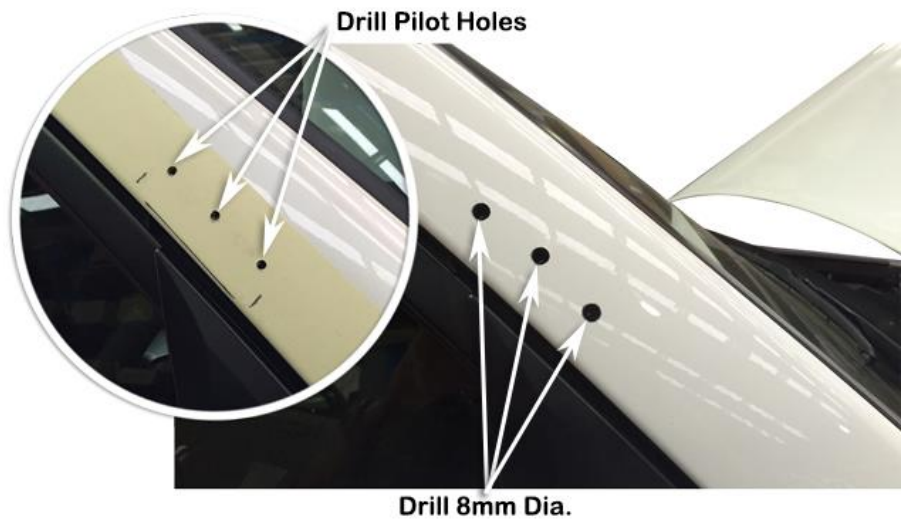
Position the upper mounting bracket onto the A-Pillar and align the bracket with the marked bracket outline. Mark the three mounting hole positions with a felt tip pen.



10

Drill a pilot hole for each of the three marked hole positions. Drill each hole position to 8mm diameter with a step drill or 8mm drill bit.

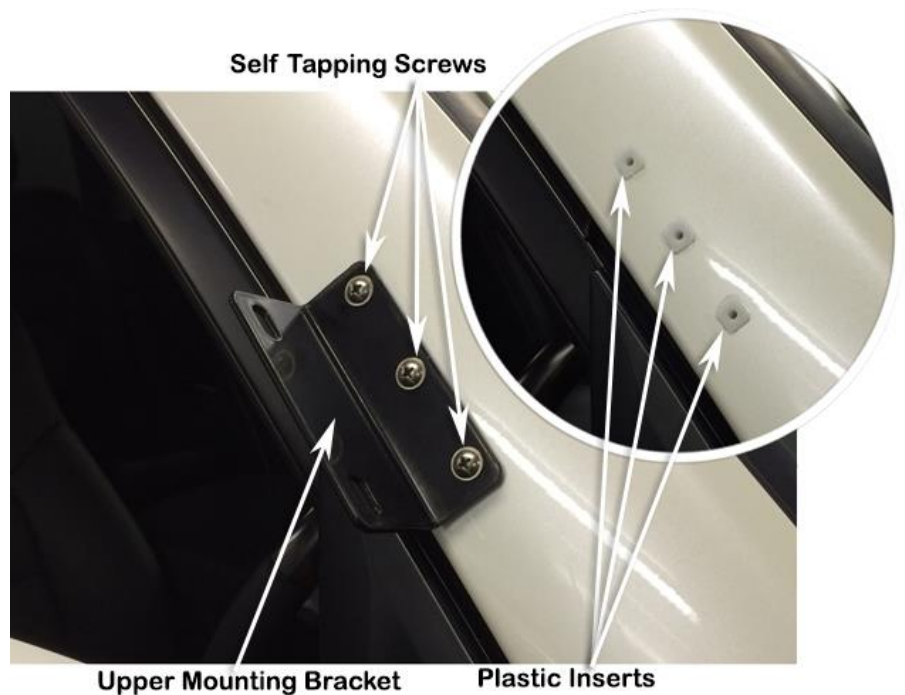
Deburr and paint holes.



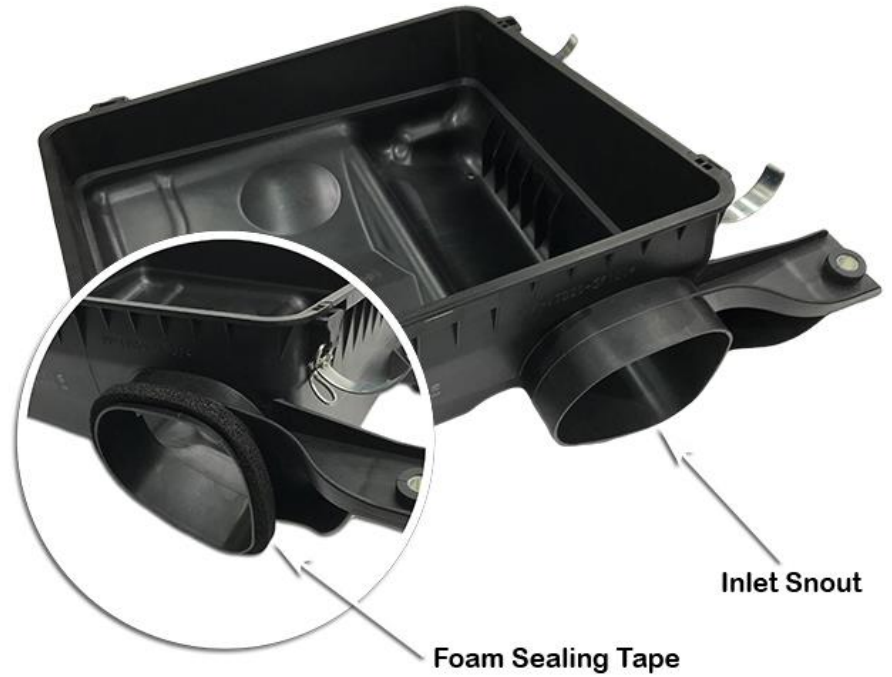
11

Install the plastic inserts (Item 6) into the 8mm diameter holes in the A-pillar.

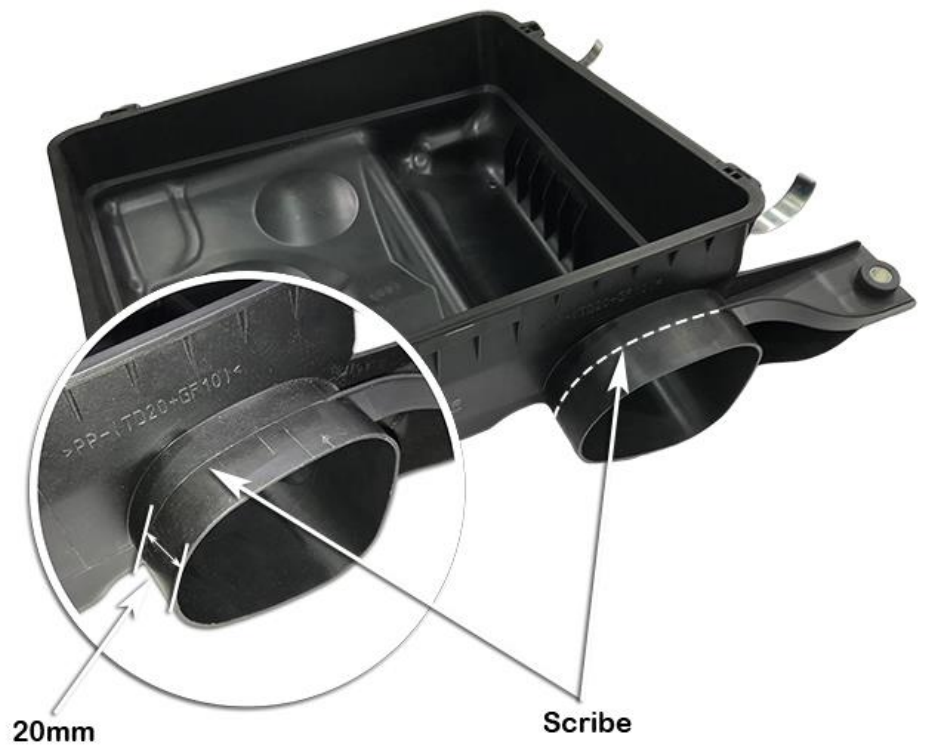
Secure the upper mounting bracket (Item 3) to the A-pillar with three self-tapping screws (Item 5).



Remove and discard the foam sealing tape from the air cleaner inlet snout.



Using a scribe or paint pen, scribe or mark a line 20mm in from the end of the air cleaner inlet snout around the entire circumference as shown.

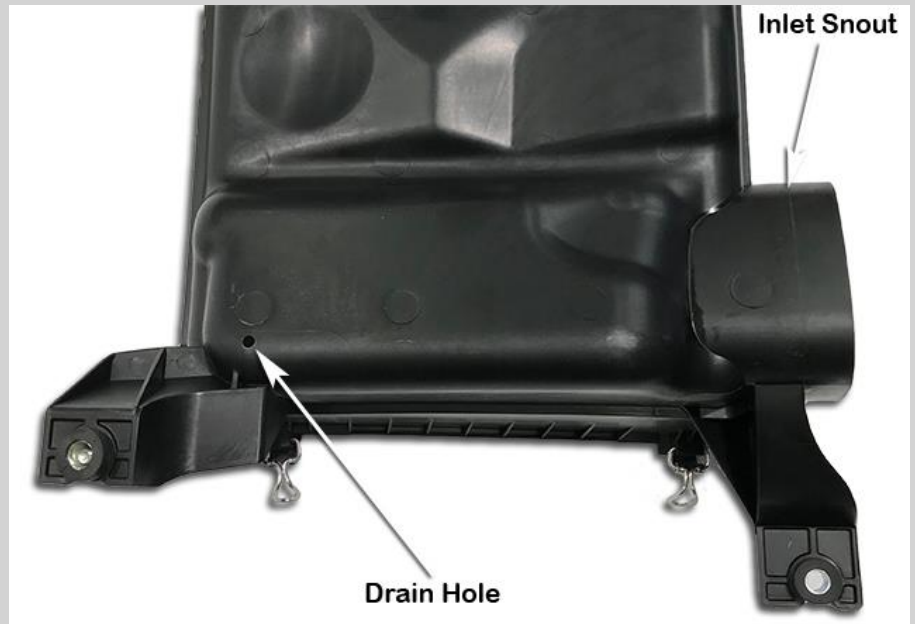


INSTALLER OPTION:

The air cleaner base contains one 5.0mm drain hole as shown.

The drain hole can permit water to enter the air intake.

Safari advises that the drain hole should be sealed to ensure a watertight installation.



Install the air entry hose (item 11) through the hole in the inner fender panel, loosely install a 100/120mm hose clamp (item 12) over the air entry hose (**Note the orientation of the hose clamp**).

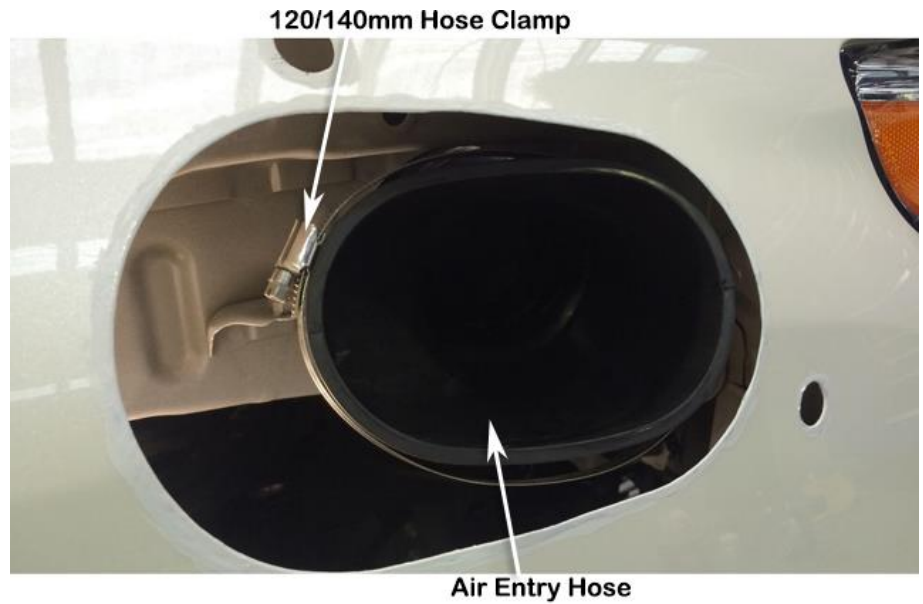
Apply a small amount of lubricant to the outlet of the air entry hose (item 11).

Install the air cleaner base into the vehicle guiding the air cleaner inlet snout into the air entry hose. Fasten the air cleaner base with the original mounting hardware.



Carefully shape the 120/140mm hose clamp (item 13) to the oval shape of the air entry hose (item 11).

Loosely install the 120/140mm hose clamp (Item 13) onto the air entry hose (Item 11), (**Note the orientation of the hose clamp**).



Apply lubricant to the inlet of the air entry hose (item 11).

Carefully install the snorkel body (item 1) to the fender, guiding the snorkel body outlet snout into the air entry hose (item 11).

Aligned the snorkel body to the fender and upper mounting bracket, fasten the snorkel body to the fender with rubber washers (item 8), body washers (item 9) and nyloc nuts (item 10).

Fasten the snorkel body to the upper mounting bracket with hex bolts (item 4).



18

Align the air entry hose (item 11) for best fitment, (*Ensure the hose is correctly installed onto the air cleaner inlet snout*), align the end of the air entry hose to the marked line around the air cleaner inlet snout (*confirm the hose is correctly installed onto the air cleaner inlet snout using an inspection mirror*), correctly position the 100/120mm hose clamp onto the air entry hose and tighten the hose clamp.

Correctly position and orientate the 120/140mm hose clamp (as shown) onto the air entry hose and tighten the hose clamp.



19

Loosely install the black hose clamp (Item 14) to the base of the air ram assembly (Item 2).

Install the air ram assembly onto the snorkel body (Item 1).

Align the air ram assembly and tighten the black hose clamp (Item 14).



20

Install the fender mounted indicator (if fitted to vehicle), inner fender liner, mud flap, air filter element, air cleaner lid, reconnect sensor wiring and any other items that may have been removed in accordance with the factory service manual.

21

N.B: It is the installer's responsibility to ensure that all connections are water tight.