



## SAFARI V-SPEC SNORKEL

SS73HF

04/02/03

ITEM	DESCRIPTION	QTY	PART NO.
1	SNORKEL BODY	1	330-133-000
2	3" AIR RAM ASSEMBLY	1	000-135-050
6	BRACKET - UPPER MOUNTING	1	330-032-000
3	STUD - S/S - 8mm1.25 x25mm OIL	4	000-110
4	WASHER - BODY - 8mm x 30mm	4	000-311
5	NUT - NYLOC - 8mm1.25	4	000-205
7	BOLT - HEX - 6mm x 1.0 x 14mm	2	000-001
9	CLIP - BODY - PLASTIC	3	000-960
10	SCREW - S/T - 4.2 x13mm	3	000-951
11	ADAPTOR - AIR CLEANER	1	330-023-000
12	"O" RING - <sup>5</sup> / <sub>16</sub> " SECTION x 290mm	1	000-470-029
13	POP RIVET - 4mm x 12mm	6	000-958
15	TEMPLATE	1	330-017-200
16	PLUG - PLASTIC - 70mm	1	000-959-200
17	CLAMP - HOSE - 60180	1	000-907
18	HOSE CLAMP - SIZE 48 (BLACK)	1	000-918IB

# WARNING!!

IT IS AN INSTALLER  
RESPONSIBILITY TO VERIFY  
ALL COMPONENTS, AND  
PARTICULARLY THE  
TEMPLATE ARE CORRECT,  
BEFORE STARTING ANY PART  
OF THE SNORKEL  
INSTALLATION.

(CHECK TEMPLATE AGAINST  
SNORKEL BODY)



## SAFARI V-SPEC SNORKEL SS73HF

---

To Suit: TOYOTA LANDCRUISER BJ 73

38 DIESEL (3.4L)  
138T TURBO DIESEL (3.4L)

---

**Fitment to:** Right hand side  
**Fitting time:** Approximately 110 minutes  
**Special Tools:** 89mm holesaw  
Air hacksaw (Jigsaw)  
Pop rivet gun

---

### Instructions:

1. Remove the air cleaner assembly and plastic air ducting from the engine bay. The Landcruiser badge will need to be removed from the right hand guard.
2. Tape the template in position on the vehicle (refer to the drawing) and mark all the hole positions using a felt pen. Remove the template.
3. Drill a 4mm pilot hole for each of the holes. Open out the 4 mounting holes to 16mm using a step drill. Using an 89mm holesaw, cut the main hole. The drill should be held at 90° to the fanel while cutting this hole. After drilling/cutting, deburr each hole to leave a clean edge.



## SAFARI V-SPEC SNORKEL

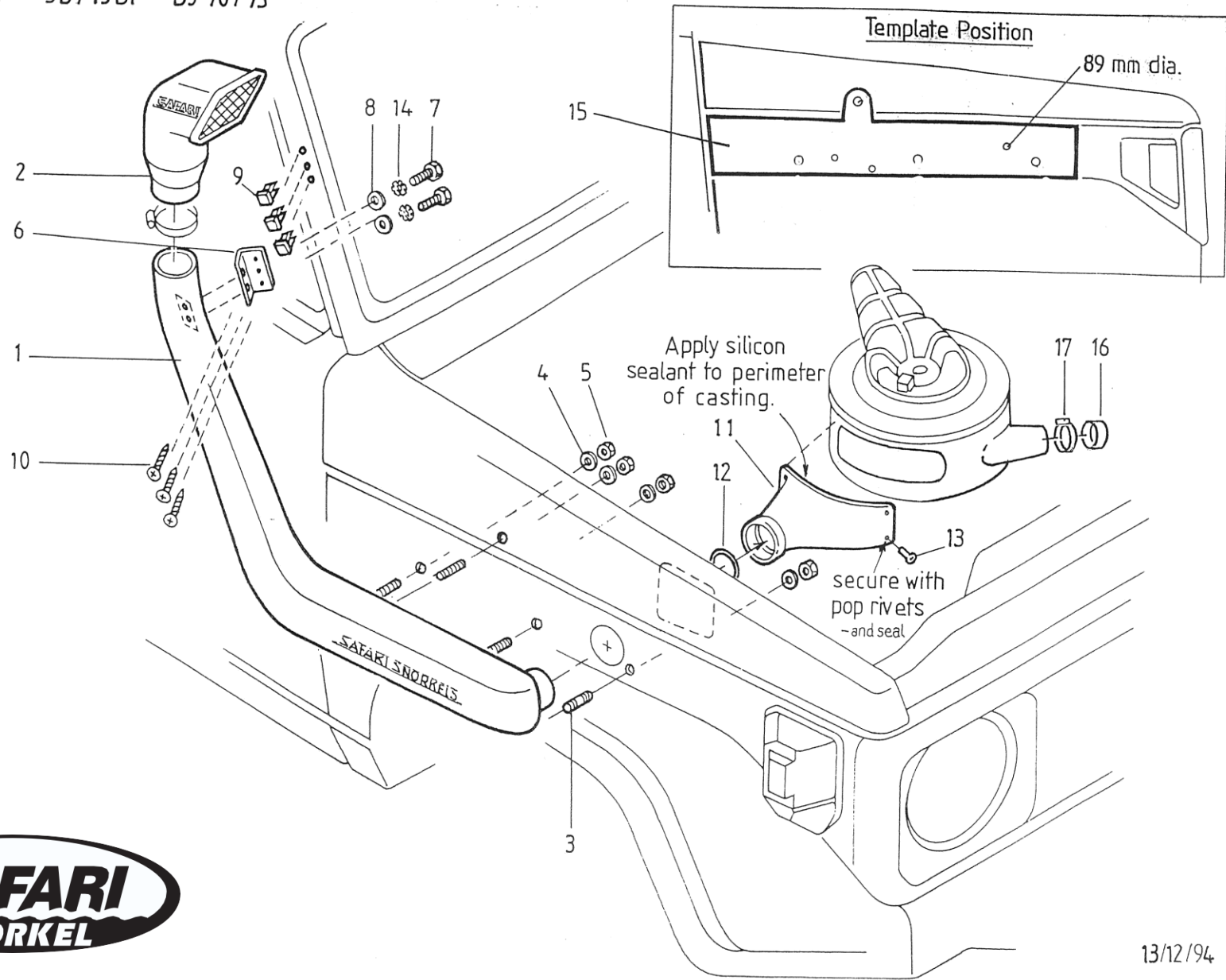
### **NEW ZEALAND INSTALLATIONS ONLY :**

Safari have developed 2 methods of Snorkel A pillar attachment, for the conventional method please proceed with the current document alternatively please see the link below for further instructions. [www.safari4x4.co.nz/apillarmounting](http://www.safari4x4.co.nz/apillarmounting)

4. Screw the stainless steel studs into the inserts in the back of the snorkel. Fasten the upper mounting bracket to the snorkel using 2, 6mm bolts and washers. Locate the snorkel on the vehicle and mark the upper mounting holes on the "A" pillar using a felt pen. Remove the snorkel and drill the mounting holes to 8mm.
5. Paint all holes to prevent rust. Insert the plastic body clips into the upper mounting holes. Position the snorkel on the vehicle and secure using appropriate hardware.
6. Slide the adaptor casting onto the snorkel snout. Sit the air cleaner assembly in position, and mark the casting location on the air cleaner body. Remove the air cleaner and casting from the car. Position the casting on the air cleaner and mark the internal hole location via the adaptor snout. Remove the adaptor casting and using an air hacksaw, cut the square hole out of the air cleaner to match the casting. Rivet the casting in position on the air cleaner and seal the joint with silicone.
7. Place a bead of silicone around the adaptor snout and refit the air cleaner assembly to the car. Blank off the original air entry to the air cleaner using the blank off plug supplied. Secure this plug with a clamp.
8. Sit the air ram on top of the snorkel and secure it using the clamp supplied.

\* A small bead of silicone may be placed around the top and front edges of the snorkel to seal it against the vehicle.

SS-73-H/F 3B/13BT - BJ 70/73



13/12/94