

SS732HF

SAFARI V-SPEC SNORKEL
NISSAN D40 NAVARA / R51 PATHFINDER
4.0Ltr V6 (VQ40 Engine)
Built: Nissan Motor Iberica, S.A.



31/03/2014

Parts List

ITEM	PART NO.	DESCRIPTION	QTY
1	430-133-000	BODY - SNORKEL (SS730HF)	1
2	000-135-800	3 ½" AIR RAM ASSEMBLY	1
3	430-032-000	BRACKET - UPPER MOUNTING	1
4	000-002-100	BOLT - HEX - 6mm x 1.0 x 14mm (SEMS)	3
5	000-951-300	SCREW - S/T - 4.2mm x 16mm - S/S	3
6	000-960	INSERT - PLASTIC	3
7	000-110	STUD - 8mm x 1.25 x 25mm - S/S	4
8	000-311-300	WASHER - BODY - 8mm x 30mm - S/S	4
9	000-205-300	NUT - NYLOC - 8mm x 1.25mm - S/S	4
10	430-024-500	HOSE - AIR ENTRY	1
11	000-908	CLAMP - HOSE - 70/90mm	1
12	000-909	CLAMP - HOSE - 80/100mm	1
13	000-914/B	CLAMP - HOSE SIZE 56 (BLACK)	1
14	430-016-000	GASKET - FOAM BODY (SELF ADHESIVE)	1
15	430-017-000	TEMPLATE - GUARD PANEL	1

Installation Guide

Fitment to:

- Left Hand Side

Fitting Time:

- 150min

Special Tools:

- 105mm hole saw
- Step drill
- Masking Tape
- Hacksaw / Body Saw (reciprocating)
- Grinder / Files
- Loctite 243 (thread lock)
- Touch-up paint
- Prep-wash
- Sikaflex 227 Adhesive Sealant

Prior to commencing the installation, it is the installer's responsibility to verify that all components and particularly the template (Item 15) are correct.

1

Remove the following in accordance with the factory service manual:

- LHS mud flap
- LHS Inner guard liner
- LHS Indicator lamp (if fitted to vehicle)
- Engine cover
- Air cleaner assembly

2

Remove and discard

- Inner guard foam insulator

Remove and Discard →

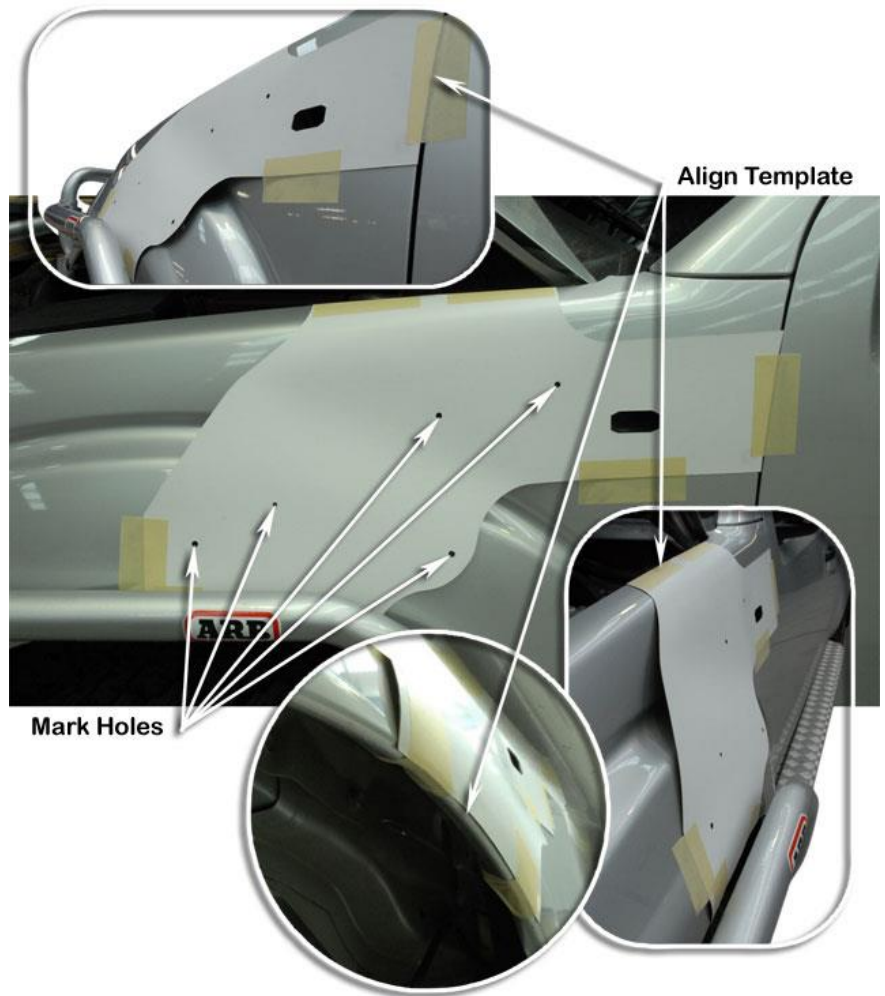


3

Tape the guard panel template (item 15) to the rear, upper and lower edges of the left hand guard panel using the indicator hole as a reference point only (some vehicle specifications may not have a guard mounted side indicator fitted).

Ensure that the template is stretched tight to the lower edge of the guard panel. Using a felt tip pen mark all hole positions.

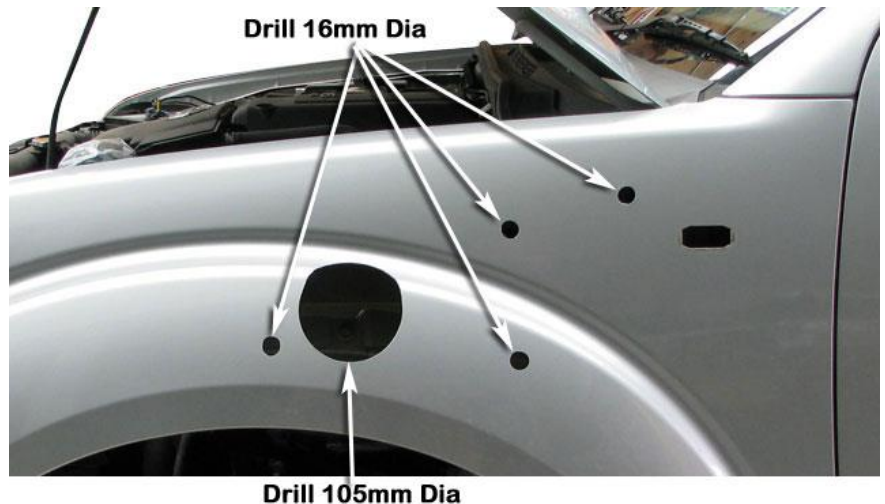
Remove the template.



4

Drill a pilot hole for each marked hole position. Using the 105mm hole saw, drill the main hole in the guard panel. Using the step drill, drill the 4 mounting hole positions to 16mm.

Deburr and paint holes to prevent rust.



NEW ZEALAND INSTALLATIONS ONLY :

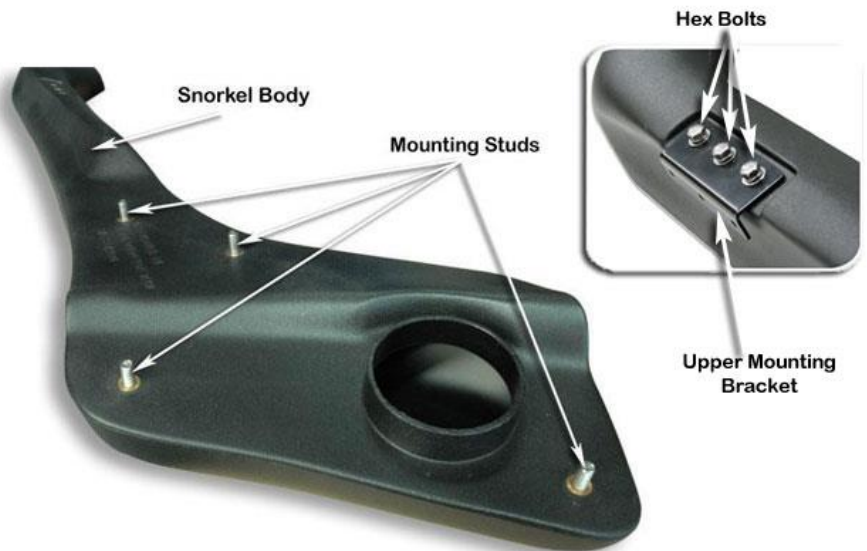
Safari have developed 2 methods of Snorkel A pillar attachment, for the conventional method please proceed with the current document alternatively please see the link below for further instructions.

www.safari4x4.co.nz/apillarmounting

5

Install the upper mounting bracket (item 3) to the snorkel body (item 1) with hex bolts (item 4).

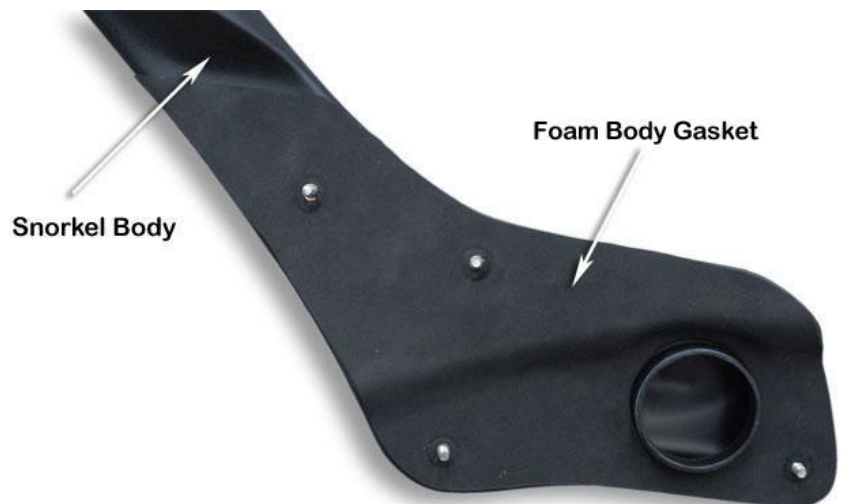
Apply Loctite 243 to each of the stainless steel mounting studs (Item 7) and install the studs finger tight into the snorkel body (item 1) mounting inserts.



6

Remove the self-adhesive backing paper from the foam body gasket (Item 17).

Carefully align the foam body gasket to the back of the snorkel body (item 1), when correctly positioned, apply firm pressure all over, paying particular attention to the alignment along the top and front edges of the snorkel body.



7

Place a strip of masking tape along the 'A' Pillar panel, Carefully install the snorkel body onto the guard panel. Ensure there is adequate clearance around each of the mounting studs.

(If necessary remove the snorkel body and enlarge the 16mm mounting holes to achieve adequate clearance around each of the mounting studs to the guard panel using a round file or die grinder).

8

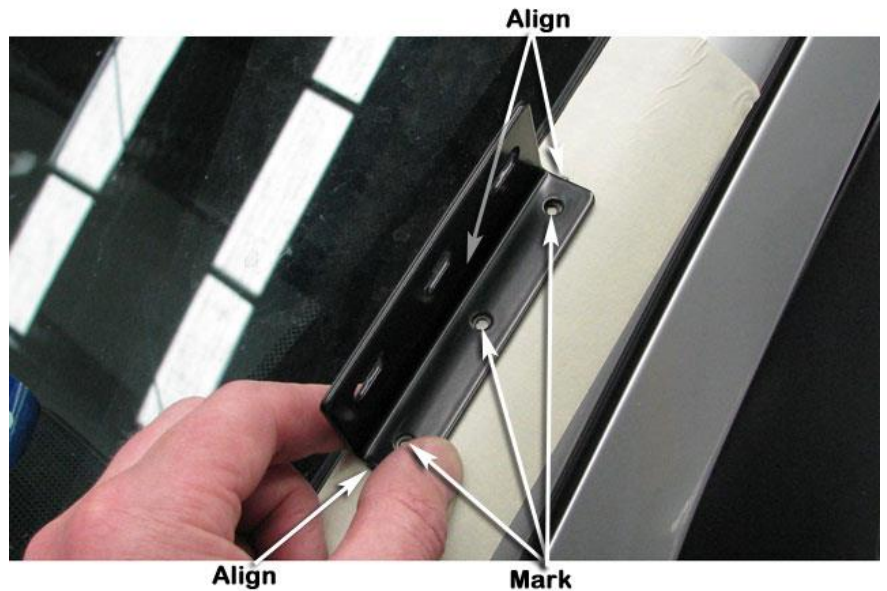
With the snorkel body correctly positioned onto the guard panel and adequate clearance around each mounting stud, mark the position of the upper mounting bracket (item 3) onto the masking tape as shown.



9

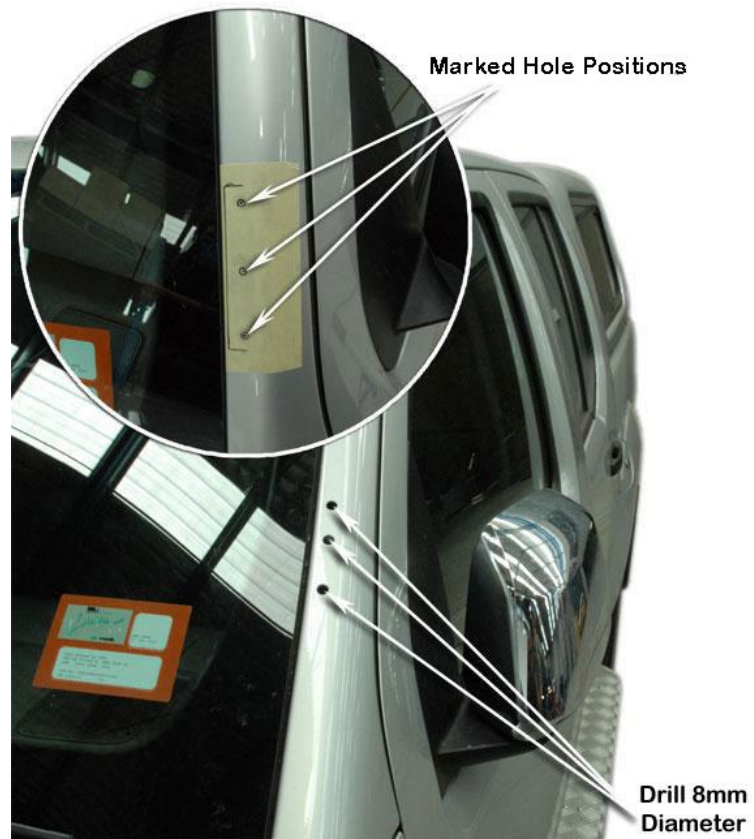
Remove the snorkel body (item 1) from the vehicle. Remove the upper mounting bracket (item 3) from the snorkel body.

Position the upper mounting bracket (item 3) onto the A-pillar and align the bracket with the marked bracket outline. Mark the three mounting holes positions with a felt tip pen.



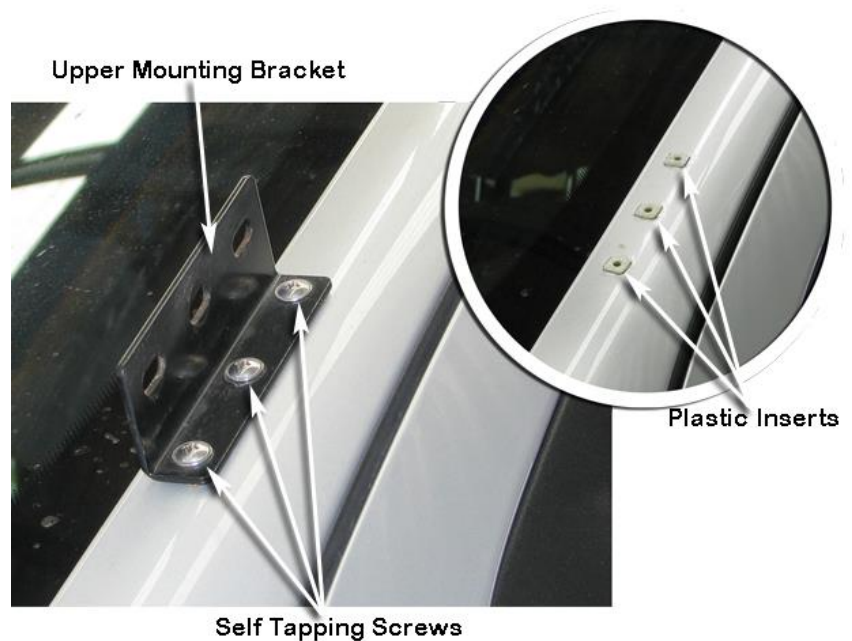
Drill a pilot hole at each of the three marked hole positions. Drill each hole position to 8mm diameter with a step drill or 8mm drill bit.

Deburr and paint holes to prevent rust.



Install the plastic inserts (Item 6) into the 8mm diameter holes in the A-pillar.

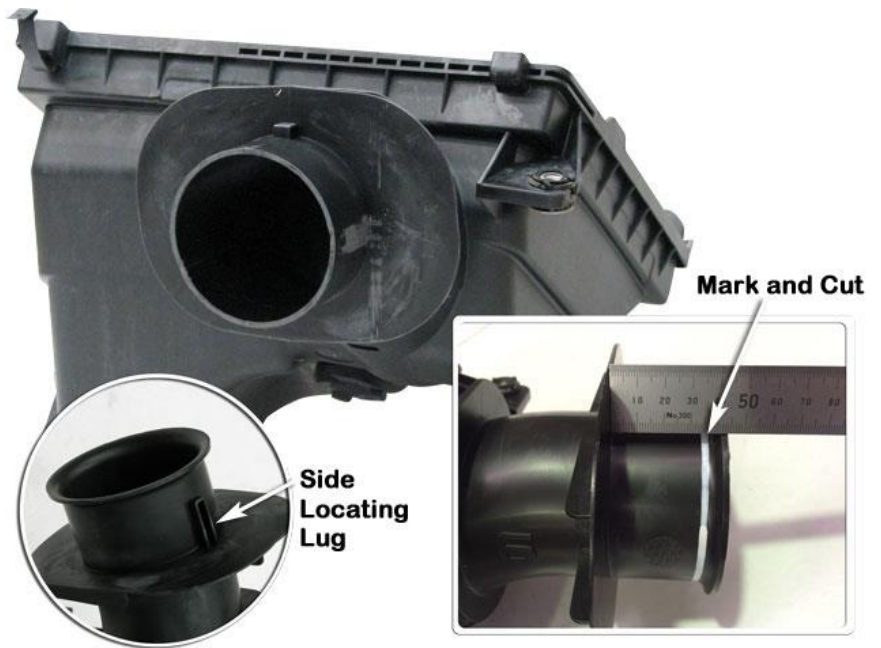
Secure the upper mounting bracket (Item 3) to the A-pillar with three stainless steel self-tapping screws (Item 5).



Remove and discard the foam seal from the air inlet duct flange.

Measure and mark a line 36mm from the air inlet duct flange, using the body saw cut-off the front section of the inlet snout where marked.

Using the body saw cut-off the side locating lug from the inlet duct as shown, neaten the cut section using a file.

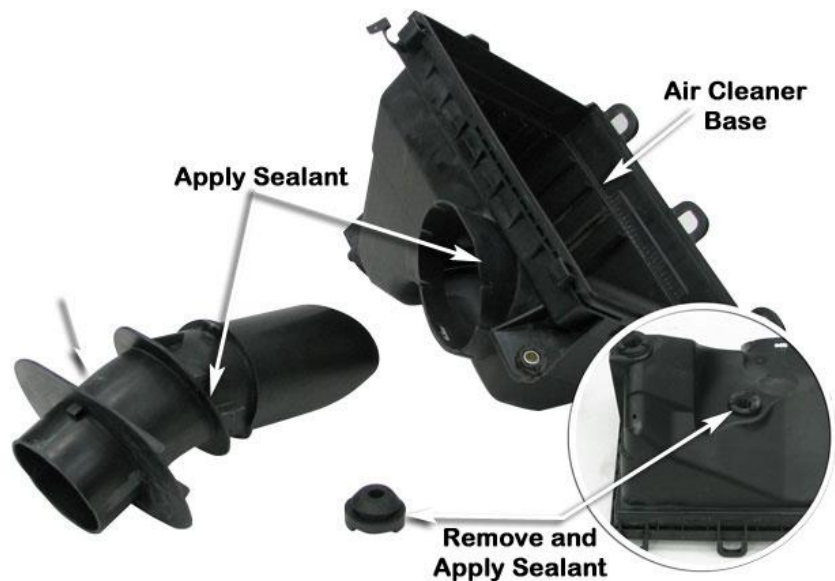


Remove the air inlet duct from the air cleaner base as shown.

Using a suitable solvent clean all mating surfaces, apply adhesive sealant to the air cleaner base and air inlet duct mating surfaces and re-install the air inlet duct to the air cleaner base, clean-up any excess sealant.

Remove the rubber mounting grommet shown from the air cleaner base, clean with a suitable solvent and apply sealant to the grommet.

Refit grommet, clean-up any excess sealant.



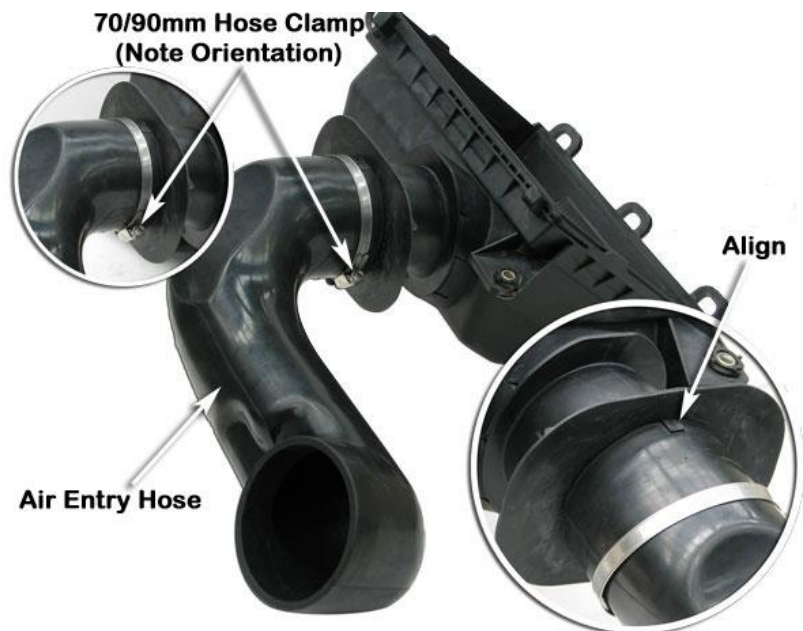
INSTALLER OPTION

The air cleaner base contains one small drain hole as shown. The drain hole can permit water to enter the air intake.

It is up to the installer to decide whether the drain hole should be sealed.



Loosely install a 70/90mm hose clamp (item 11) to the air entry hose (item 10), install the air entry hose (item 10) to the air cleaner inlet duct, align the notched section of the air entry hose to the small lug of the duct, with the hose correctly installed tighten the 70/90mm hose clamp (item 11), (*note the orientation of the hose clamp*).



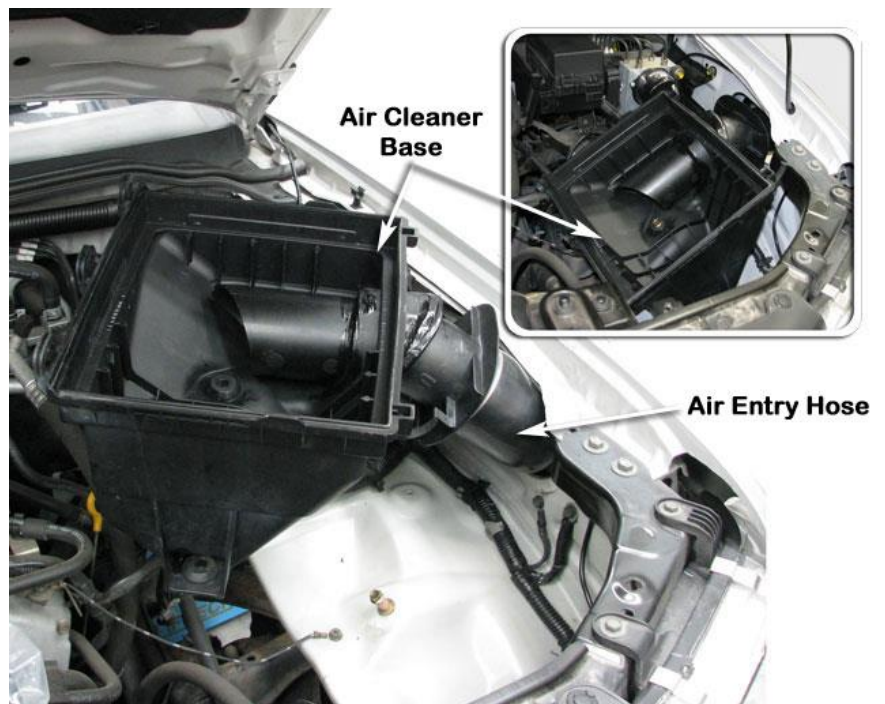
Apply CRC 5.56 multi-purpose lubricant or similar lubricant to the outer surface of the air entry hose (item 10).

Install the air cleaner base / air entry hose assembly back into the vehicle, guiding the air entry hose through the hole in the inner guard panel as shown.

Rotate the assembly towards the front of the vehicle until the hose is completely through.

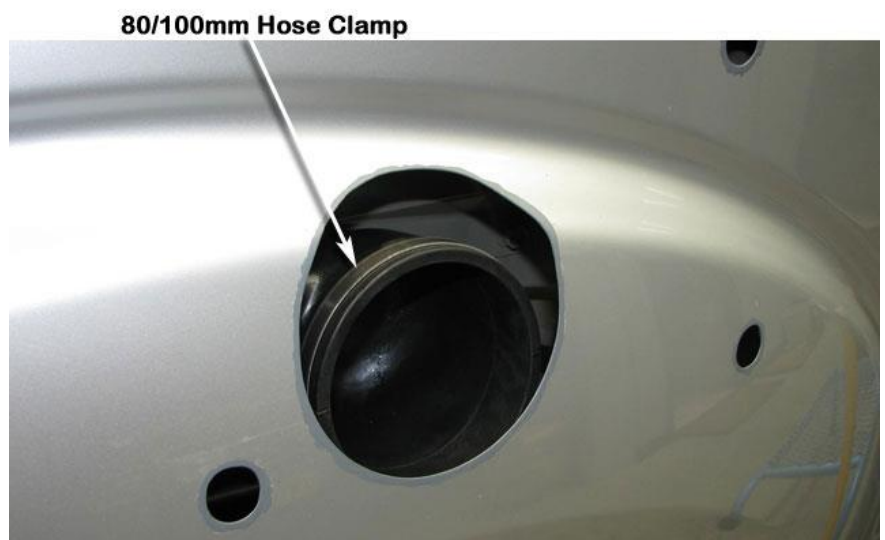
Locate the air cleaner base onto the two standard mounting pins, fasten the air cleaner base with standard mounting bolt.

Install the air filter element, air cleaner housing top and connect the air mass sensor wiring etc.



Install the 80/100mm hose clamp (item 12) loosely over the air entry hose (item 10).

Ensure the inside of the hose is completely free of lubricant from the previous step.

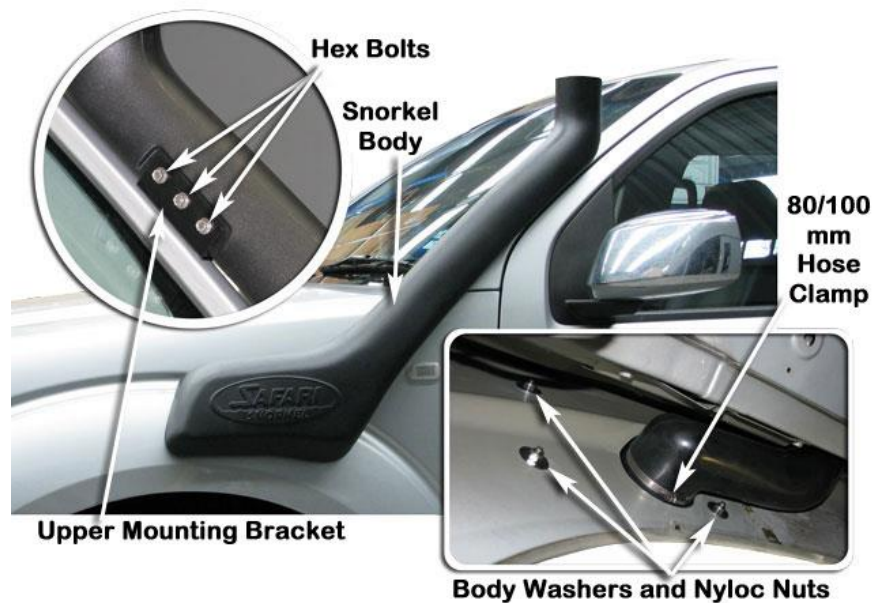


Carefully install the snorkel body (item 1) to the guard panel, guiding the snorkel body outlet snout into the air entry hose (item 10), align the snorkel body to the guard panel and upper mounting bracket.

When correctly aligned, fasten the snorkel body to the guard panel with body washers (item 8) and nyloc nuts (item 9).

Fasten the snorkel body to the upper mounting bracket with hex bolts (item 4).

Ensure the air entry hose (item 10) is correctly installed onto the snorkel body outlet snout and tighten the 80/100mm hose clamp (item 12).



Install the black hose clamp (item 13) loosely over the base of the air ram assembly (item 2). Install the air ram assembly onto the snorkel body.

Align the air ram assembly and tighten the black hose clamp (item 13).



Reinstall the LHS indicator lamp (if fitted), inner guard liner, mud flap and any other items that may have been removed during the snorkel installation process. Road test vehicle.

N.B: It is the installer's responsibility to ensure that all connections are water tight.